



## Ice Maker



## Instruction Manual

Item: 761467

Montgomery Ward Customer Service  
3650 Milwaukee Street, Madison, WI 53714  
8:00 am to Midnight, Monday through Friday

**Wards.com 1-888-557-3848**

**Wards.com 1-888-557-3848**



Thank you for purchasing your Chef Tested Ice Maker by Montgomery Ward. Put through the paces by the experts, we guarantee that it will perform to the highest standard, time after time, with all the convenience, easy cleanup and durability you rely on from Wards.

## Table of Contents

- Important Safeguards ..... 3
- Electrical Safety .....4
- Specifications ..... 4
- Parts & Features..... 5
- Before First Use Use ..... 6
- How to Operate.....7
- Cleaning & Care..... 8
- Troubleshooting ..... 9
- Notes ..... 10-11
- Return Information .....12
- Warranty.....13

## Important Safeguards

### READ CAREFULLY BEFORE USING AND SAVE THESE INSTRUCTIONS!

- FOR HOUSEHOLD USE ONLY. DO NOT use this appliance for other than its intended use.
- REMOVE all packaging materials and labels before first use. Please dispose of the packaging materials via the appropriate recycling system, in an environmentally friendly manner.
- **WASH all removable parts before first use. See Cleaning & Care.**
- A SHORT CORD is provided to reduce the hazards resulting from entanglement or tripping. DO NOT drape the cord over the counter or tabletop, where it can be pulled on or tripped over. NEVER wrap the cord tightly around the appliance, as this could cause the cord to fray or break.
- We DO NOT recommend using an extension cord with this appliance. However, IF AN EXTENSION CORD IS USED, the marked electrical rating should be at least as great as the electrical rating of this appliance.
- CLOSE SUPERVISION is necessary when using this appliance near CHILDREN.
- A fire may occur if this appliance is used near FLAMMABLE MATERIALS, including curtains, towels, walls, etc. DO NOT place any paper, plastic, or other non-food items in the appliance. DO NOT place the appliance or its cord on or near a heated surface, or in a heated oven.
- This appliance should always be used on a STABLE, DRY, HEAT-RESISTANT SURFACE. DO NOT use near water.
- DO NOT use an accessory or attachment not recommended by Montgomery Ward, as this may cause injury, or damage the appliance.
- KEEP HANDS, HAIR AND CLOTHING AWAY FROM ALL MOVING PARTS.
- Do not use outdoors.
- TURN OFF AND UNPLUG this appliance when not in use.
- NO SERVICEABLE PARTS INSIDE THIS APPLIANCE.
- DO NOT USE AN APPLIANCE WITH A DAMAGED CORD OR PLUG, OR AFTER THE APPLIANCE MALFUNCTIONS, OR HAS BEEN DAMAGED IN ANY MANNER.
- Only fresh, clean water should be used in this appliance. The use of juice, milk or soda may damage the ice maker.
- Old appliances/tools contain valuable materials that can be recycled. Please dispose of your old appliances/tools using appropriate collection systems.



Intertek

Wards.com

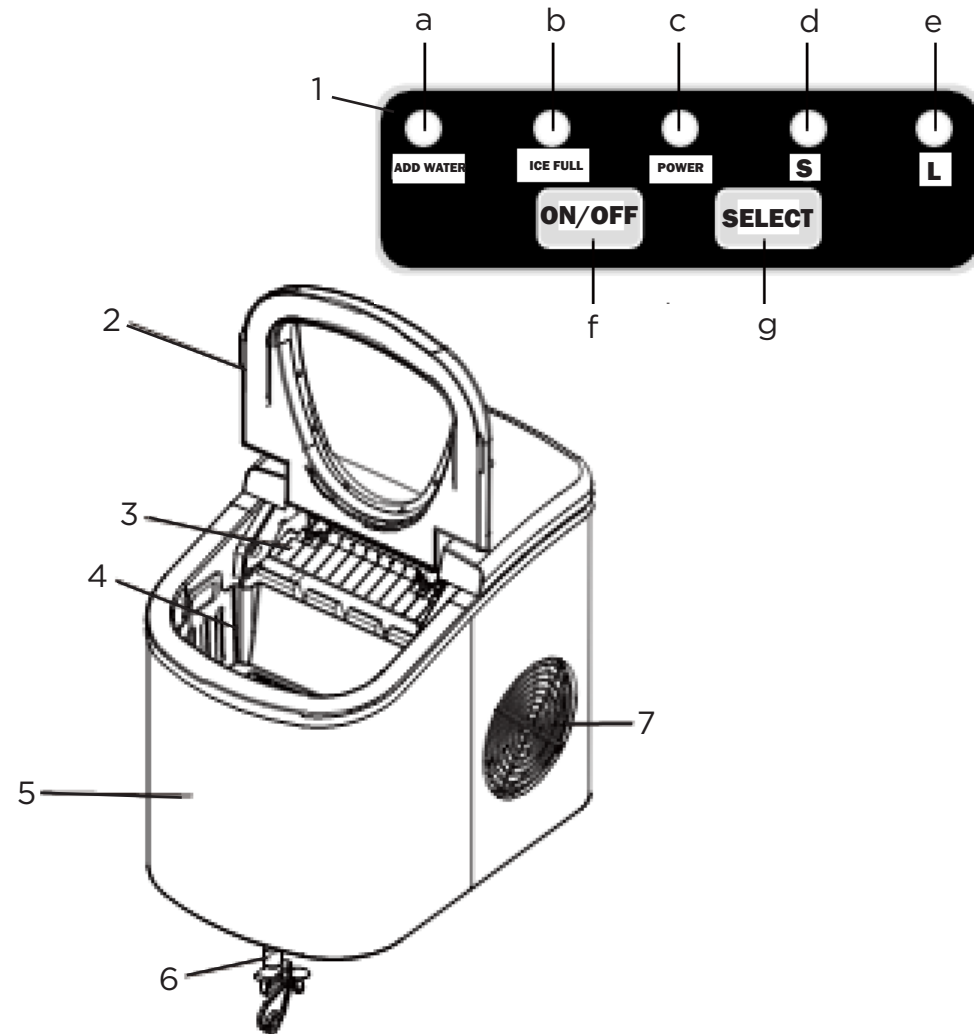
## Electrical Safety

**This appliance is equipped with a 3-prong grounding plug.** This is a safety feature to reduce the risk of electrical shock. Using an extension cord is not recommended with this appliance. The plug should be attached to the appliance before connecting to an electrical outlet. It is recommended that an electrical outlet serving ONLY this appliance be used. This outlet must be properly installed and grounded. If you have any questions about the grounding or electrical instructions, contact a qualified electrician. Do not attempt to modify the plug in any way. Montgomery Ward cannot accept any liability for damage or injury resulting from failure to observe these safety procedures.

## Specifications

<b>POWER RATING</b>	<b>100W, 115V, 60Hz</b>
<b>CAPACITY</b>	<b>2.3-Quart Reservoir</b>
<b>CORD LENGTH</b>	<b>60"</b>
<b>DIMENSIONS</b>	<b>9.6" L x 14.4"W x 12.8" H</b>
<b>MODEL</b>	<b>ICG401-CB</b>

## Parts & Features



### 1. Control Panel

- a. Add Water Light
- b. Ice Full Light
- c. Power Light
- d. Small Size Ice Light

- e. Large Size Ice Light
- f. On/Off Button
- g. Size Selector Button

### 2. Lid

- 3. Ice Shovel, Water Tray and Evaporator Fingers
- 4. Ice Basket
- 5. Water Reservoir
- 6. Drain Plug
- 7. Air Vent
- 8. Scoop (not shown)

## Before First Use

1. The incline angle of the ice maker should not exceed 45° during transportation or use. Do not turn the ice maker upside down. Doing so could cause the compressor or refrigerating system to malfunction.
2. After it is moved or transported, please allow 2 hours for the ice maker to rest in place so fluids in the compressor can settle.
3. Ensure the ice maker is level and on a stable table or platform. The surface must be dry with sufficient ventilation, far from heat sources such as ovens, heaters and corrosive gases. Leave an 8-inch clearance on all sides of the ice maker for proper ventilation.
4. Allow the unit to come to room temperature before operating.
5. Wipe down the interior of the ice machine with a damp cloth and allow to air dry.
6. Do not fill the water reservoir with hot water. This may damage the ice maker. It is best to fill the water reservoir with water of room temperature or lower.
7. When first turning on the unit or during ice-making cycles, the compressor will stay idle for 3 minutes, while energizing.
8. We recommend that you discard the first batch of ice.

**WARNING: To avoid burns, DO NOT touch the evaporator fingers when the ice maker is making ice.**

**Note: To keep your ice fresh, change the water in the reservoir every 24 hours. When not in use, drain the water from the ice maker.**

## How to Operate

1. Ensure the drain plug underneath the front of the unit is closed and the water tube screen (at the bottom of the water reservoir) is in place.
2. Plug the ice maker into an outlet and the green power indicator light will blink (approximately every 5 seconds).
3. Open the cover and remove the ice basket.
4. Fill the water reservoir. **DO NOT FILL ABOVE THE MAX WATER LEVEL MARK AT THE BACK OF THE WATER RESERVOIR.**
5. Replace the ice basket and close the cover.
6. Press the power button and the green indicator light will remain on. To change between either the small or large ice size, press the select button until the light is lit up beside the desired ice size.
7. The first ice cycle will last approximately 8-13 minutes, depending on the ice size selected. The ice-making cycle starts with water being pumped into the water tray below the evaporator fingers. Ice will form on the evaporator fingers. When ice is ready, the ice tray will tilt backward and the remaining water in the ice tray will drain back into the reservoir. The ice will be dropped from the evaporator fingers and pushed forward into the ice basket by the ice shovel. The ice tray will automatically move back into position under the evaporator fingers and start the next cycle.
8. ICE FULL will light up when the ice basket is full and the ice maker will stop the ice-making cycle automatically. Remove the ice from the basket with the scoop. **Wait 3 minutes, then press POWER to restart the ice-making function.**

**Note: When you have finished making ice, transfer the ice to a freezer. The ice will last in the ice maker for up to 18 hours, depending on room temperature.**

9. The ADD WATER light will light up when there is no more water in the reservoir and the cycle will stop automatically. Press POWER once (the power button will flash every 5 seconds). Remove the basket and add water to the reservoir. **DO NOT fill above the MAX water level mark.** Replace the ice basket and close the cover. **Wait 3 minutes then press POWER to restart the ice-making function.**

1. Stop the ice maker by pressing POWER (the POWER light will go out).  
Unplug the ice maker from the outlet and allow the unit to warm up to room temperature.
2. If the water tray is not in the vertical position behind the evaporator fingers, gently push the water tray back so that all water drains into the water reservoir.
3. Open the drain plug to drain out excess water.
4. Remove the basket. Wash the ice basket and scoop in warm soapy water, rinse and dry.
5. Remove the water tube screen (at the bottom of the reservoir) and rinse under running water.
6. Clean the inside of the reservoir with a soft cloth dampened with warm water and vinegar. Rinse with a clean damp cloth.
7. Replace the drain plug and the water tube screen.
8. Clean the exterior of the ice maker with a soft damp cloth. Use a mild dishwashing soap, if necessary.
9. **DO NOT CLEAN THE EVAPORATOR FINGERS.**
10. Do not immerse any electrical appliance, its cord, or its plug, into water.
11. Ensure all parts are dried thoroughly before reassembling and using this appliance.
12. When the ice maker is not in use, or is being stored, ensure the reservoir is completely dry to keep mold from forming. Store with the drain plug open.

Problem	Cause	Solution
There is no indication on the control panel.	Disconnection of plug.	Check that the plug is plugged into the electrical outlet.
ICE FULL and ADD WATER indicators light up simultaneously.	Electrical power surge or there may be air in the lines or the lines are blocked. The water tank cannot detect water level.	Turn off the ice maker, pull out the drain plug, fill reservoir with water if needed, replace the plug and then restart the unit. OR Inspect relative parts; remove the drain plug and drain out a small amount of water. Replace the drain plug and attempt to use the unit again. OR Check if ice is blocking the ice shovel. Turn off the unit; let the ice melt and restart.
The unit does not operate.	Power is not being supplied to the unit. The ambient temperature or the water temperature is too high	Plug the unit into a standard 110/120 Volt, 60 Hertz power source. Run the ice maker in temperatures below 90°F and/or pour colder water into the water reservoir.
Ice blockage. No ice is being made.	Making ice takes too much time.	Turn off the machine. Start the machine after the ice block melts. OR change the size selector to small ice cubes.
The ice-making cycle seems normal, but no ice is produced.	There is refrigerant leakage. A pipe in the cooling system is blocked.	Call Customer Service.



If any item, for any reason, does not meet your expectations, just return it to us. We'll gladly either:

- Refund your merchandise amount
- Credit your account
- Send a replacement

You can return any unused item in its original packaging within 60 days of its receipt for a full refund of the purchase price (excluding shipping and handling charges).

**Please send returns to:**

**Montgomery Ward, Inc.  
Attn: Customer Returns  
2000 Harrison Suite 100  
Clinton, IA 52732-6676**

**When returning an item:**

- Use the original packaging and pack it securely.
- Please adequately insure your item in case you need to make a claim with the carrier you choose for returning your item.
- Include your order number and reason for return.
- We recommend keeping the receipt for 4 weeks.



### 1 Year Limited Warranty

Montgomery Ward, Inc. warrants this Chef Tested product to be free from defects in material and workmanship for one year from provable date of purchase.

Within this warranty period, Montgomery Ward will repair or replace, at its option, defective parts of this Chef Tested product at no charge, provided the product is returned, freight prepaid with proof of purchase to Montgomery Ward.

Allow 2-4 weeks for return shipping.

This warranty does not cover improper installation, misuse, abuse or neglect on part of the owner. Warranty is also invalid in any case that the product is taken apart or serviced by an unauthorized service station.

This warranty gives you specific legal rights and they may vary from state to state.

THE FOREGOING WARRANTIES ARE IN LIEU OF ALL OTHER WARRANTIES AND CONDITIONS, EXPRESS OR IMPLIED, INCLUDING BUT NOT LIMITED TO THOSE OF MERCHANTABILITY OR FITNESS FOR A PARTICULAR PURPOSE.

Montgomery Ward Customer Service  
8:00 am to Midnight CST, Monday through Friday

**Wards.com 1•888•557•3848**

