



ELECTRIC CAN OPENER

User Guide

Item: 764528



Ginnys.com • 800-544-1590

 *Facebook.com/GinnysBrand*

 *Pinterest.com/GinnysBrand*

Thank you for purchasing the Ginny’s Brand Electric Can Opener. It quickly and easily opens cans of many different sizes — everything from short, wide cans (like tuna) to standard cans (like soup). Its strong stainless steel blade effortlessly pierces lids and slices them off cleanly. No more messing with cranky old can openers, and the bright color is going to look great in your kitchen!

TABLE OF CONTENTS

Important Safeguards	3
Electrical Safety and Specifications	4
Get to Know Your Can Opener	5
How to Operate	6–7
Cleaning & Care	7
Warranty	8

IMPORTANT SAFEGUARDS

READ CAREFULLY BEFORE USING AND SAVE THESE INSTRUCTIONS!

- FOR HOUSEHOLD USE ONLY. DO NOT use this appliance for other than its intended use.
- REMOVE all packaging materials and labels before first use. Please dispose of the packaging materials via the appropriate recycling system, in an environmentally friendly manner.
- A SHORT CORD is provided to reduce the hazards resulting from entanglement or tripping. DO NOT drape the cord over the counter or tabletop, where it can be pulled on or tripped over. Never wrap the cord tightly around the appliance, as this could cause the cord to fray or break.
- We DO NOT recommend using an extension cord with this appliance. However, IF AN EXTENSION CORD IS USED, the marked electrical rating should be at least as great as the electrical rating of this appliance.
- CLOSE SUPERVISION is necessary when using this appliance near CHILDREN.
- DO NOT place the appliance or its cord on or near a heated surface, or in a heated oven.
- This appliance should always be used on a STABLE, DRY SURFACE. DO NOT use near water.
- DO NOT use an accessory or attachment not recommended by Ginny's, as this may cause injury, or damage the appliance.
- Keep hands, hair and clothing away from all MOVING PARTS.
- DO NOT use outdoors.
- UNPLUG this appliance when not in use.
- NO SERVICEABLE PARTS INSIDE THIS APPLIANCE.
- DO NOT USE AN APPLIANCE WITH A DAMAGED CORD OR PLUG, OR AFTER THE APPLIANCE MALFUNCTIONS, OR HAS BEEN DAMAGED IN ANY MANNER.
- DO NOT OPEN PRESSURIZED (AEROSOL-TYPE) CANS.
- DO NOT OPEN CANS OF FLAMMABLE LIQUIDS, SUCH AS LIGHTER FLUIDS.
- DO NOT USE ON CANS DESIGNED TO BE OPENED BY ANOTHER METHOD, SUCH AS PULL TAB, PEEL-OFF, FOIL SEAL, OR ROLLING KEY.
- The cutting blade is made of hardened steel and will last for years under normal use. DO NOT attempt to sharpen.

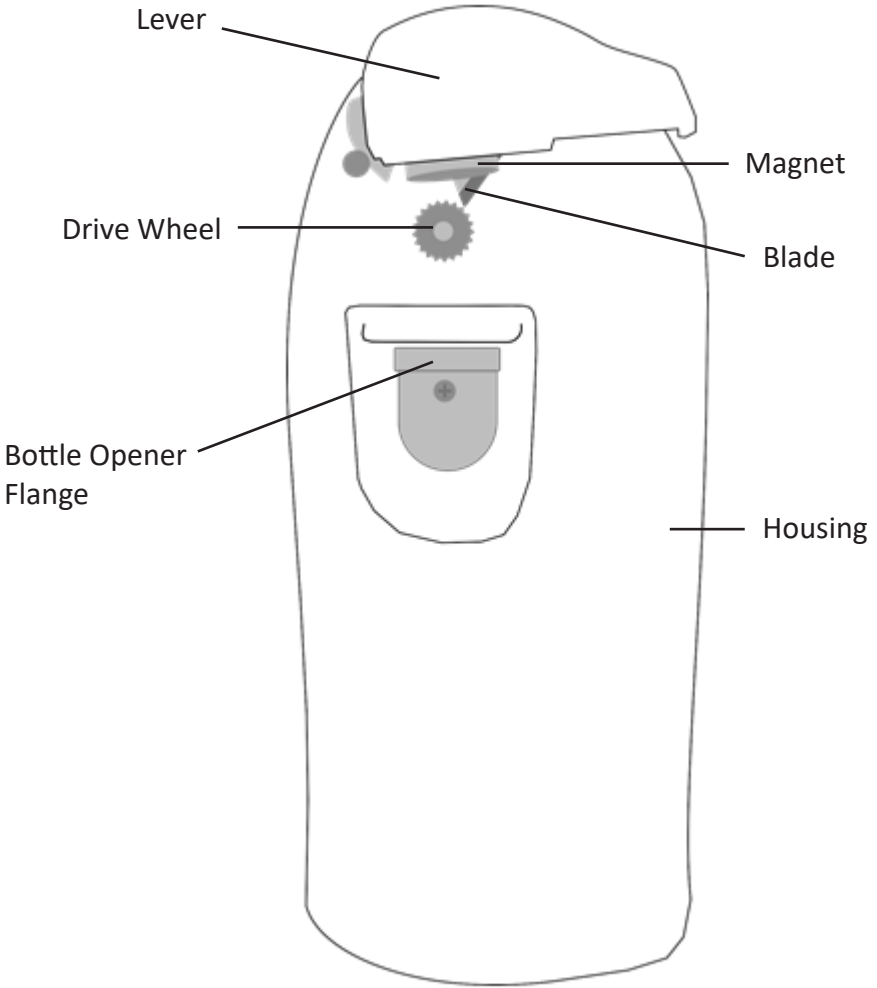
ELECTRICAL SAFETY

This appliance is equipped with a polarized plug in which one prong is wider than the other. This is a safety feature to reduce the risk of electrical shock. The plug will fit into a polarized outlet only one way. If you are unable to insert the plug into the outlet, try reversing the plug. If it still does not fit, contact a qualified electrician. DO NOT attempt to modify the plug in any way. Ginny's cannot accept any liability for damage or injury resulting from failure to observe these safety procedures.

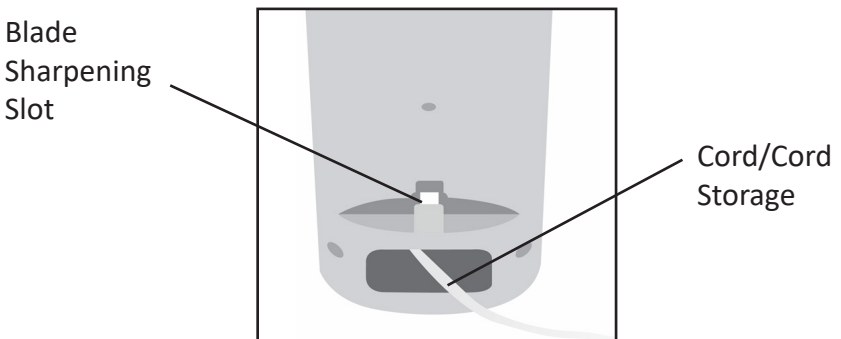
SPECIFICATIONS

POWER RATING	120 V, 60 Hz, 70 W, 1.3 A
CORD LENGTH	24"
DIMENSIONS	4½" W x 9¼" H x 3¾" D
MODEL	SCO-502

GET TO KNOW YOUR CAN OPENER



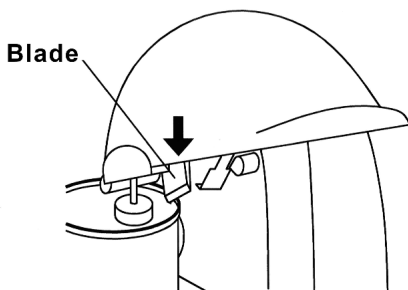
(rear view of can opener)



HOW TO OPERATE

OPEN A CAN

1. Plug the can opener into an outlet. Lift the can opener lever to the upright position.
2. Place the can so the lower edge of the can “lip” rests on top of the drive wheel. Lower the lever so the cutting blade is on the inside of the lid.
3. Push the lever down firmly until the can lid is pierced and the cutting action begins (the can will turn). It is not necessary to hold the lever down (it will automatically stay down and hold the can).
4. When the lid is cut off, the can will stop turning. The can will remain in position. To release, grasp the can firmly in one hand and raise the lever using the other hand. The lid magnet will hold the lid.
5. **CAREFULLY REMOVE THE LID — EDGES WILL BE SHARP!**
6. Unplug the can opener when finished.



Tips:

- Occasionally, dented cans will cause the can opener to stall. If this happens, grasp the can and carefully guide it through the cutting action.
- To open a can that has become jammed, raise the lever and release the can. Begin the cutting action again in a new place on the can lid.
- If a can sticks and does not turn or cut, try again after peeling the label from the top of the can.

OPEN A BOTTLE

1. Unplug appliance from outlet. Position 1 hand on the top of the can opener.
2. Place bottle cap edge under opener flange.
3. Apply downward pressure on the bottle until cap pops off.

Note: This bottle opener is not recommended for bottles with “twist-off” caps.

HOW TO OPERATE

SHARPEN A KNIFE OR SCISSORS

1. **Always use safe practices when using or sharpening knives.**
2. DO NOT attempt to sharpen hollow ground blades or serrated blades.
3. Ensure the blade is clean and the can opener is unplugged.
4. Position 1 hand on top of the can opener. Place the heel of blade (closest to the handle) into the sharpening slot.
5. Lightly draw the blade toward you, applying slight downward pressure. Repeat this procedure 4–5 times, or until the blade is sharp. Wash the blade in warm, soapy water before using to cut food.

CLEANING & CARE

1. Unplug the can opener when not in use and before any cleaning.
2. **Never immerse the can opener housing, cord, or plug, in water.**
3. DO NOT use abrasive cleaners or scouring pads.
4. Detach the can opener lever (lift the lever to the upright position and pull the lever away from the front of the can opener) and wash the lever in warm, soapy water. Rinse and dry thoroughly before reattaching to the can opener.
5. Wipe all other parts with a damp cloth.

WARRANTY

Ginny's warrants this product free from defects in material and workmanship for one year from provable date of purchase.

Within this warranty period, Ginny's will repair or replace, at its option, defective parts at no charge, provided the product is returned freight prepaid with proof of purchase to Ginny's. Allow 2-4 weeks for return shipping.

This warranty does not cover improper installation, misuse, abuse or neglect on part of the owner. Warranty is also invalid in any case that the product is taken apart or serviced by an unauthorized service station.

This warranty gives you specific legal rights and they may vary from state to state.

THE FOREGOING WARRANTIES ARE IN LIEU OF ALL OTHER WARRANTIES AND CONDITIONS, EXPRESS OR IMPLIED, INCLUDING BUT NOT LIMITED TO THOSE OF MERCHANTABILITY OR FITNESS FOR A PARTICULAR PURPOSE.



Ginny's, Inc.
1112 7th Avenue
Monroe, WI 53566

Customer Service: 800-544-1590
8:00 a.m. to Midnight CST, Monday through Friday