



ICE MAKER WITH BOTTLE OPENER User Guide

Item: 766865



Ginnys.com • 800-544-1590

 *Facebook.com/GinnysBrand*

 *Pinterest.com/GinnysBrand*

Thank you for purchasing a Ginny's Brand Ice Maker with Bottle Opener. Now it's easier than ever to keep up with cold-drink demands! Not only do you have plenty of ice on hand, but you have a convenient bottle opener (that you won't misplace). Enjoy!

TABLE OF CONTENTS

Important Safeguards	3
Electrical Safety and Specifications	4
Get to Know Your Appliance	4–5
How to Operate	6–8
Cleaning & Care	9
Troubleshooting	10–11
Warranty	12

IMPORTANT SAFEGUARDS

READ CAREFULLY BEFORE USING AND SAVE THESE INSTRUCTIONS!

- FOR HOUSEHOLD USE ONLY. DO NOT use this appliance for other than its intended use.
- REMOVE all packaging materials and labels before first use. Please dispose of the packaging materials via the appropriate recycling system, in an environmentally friendly manner.
- **WASH all removable parts before first use. See Cleaning & Care.**
- DO NOT drape the cord where it can be pulled on or tripped over. NEVER wrap the cord tightly around the appliance, as this could cause the cord to fray or break.
- We DO NOT recommend using an extension cord with this appliance.
- CLOSE SUPERVISION is necessary when using this appliance near CHILDREN.
- A fire may occur if this appliance is used near FLAMMABLE MATERIALS, including curtains, towels, walls, etc. DO NOT place any paper, plastic, or other non-food items in the appliance. DO NOT place the appliance or its cord on or near a heated surface, or in a heated oven.
- This appliance should always be used on a STABLE, DRY, HEAT-RESISTANT SURFACE. DO NOT use near water.
- DO NOT use an accessory or attachment not recommended by Ginny's, as this may cause injury, or damage the appliance.
- KEEP HANDS, HAIR AND CLOTHING AWAY FROM ALL MOVING PARTS.
- DO NOT use outdoors.
- If the ice maker is brought in from cold storage (like an unheated garage), allow it to warm up to room temperature before operating.
- TURN OFF AND UNPLUG this appliance when not in use.
- NO SERVICEABLE PARTS INSIDE THIS APPLIANCE.
- DO NOT USE AN APPLIANCE WITH A DAMAGED CORD OR PLUG, OR AFTER THE APPLIANCE MALFUNCTIONS, OR HAS BEEN DAMAGED IN ANY MANNER.
- Only fresh, clean water should be used in this appliance. The use of juice, milk or soda may damage the ice maker.
- To avoid calcium or other mineral buildup, DO NOT use hard water.
- Appliances/tools contain valuable materials that can be recycled. Please dispose of your old appliances/tools using appropriate collection systems in accordance with federal and local regulations.

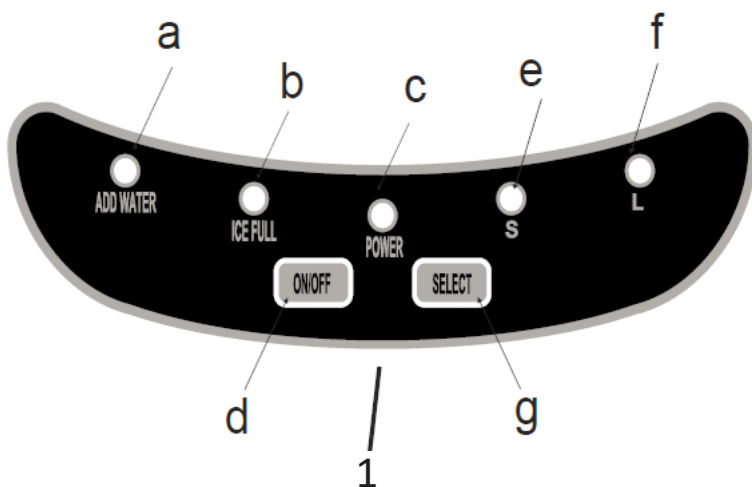
ELECTRICAL SAFETY

This appliance is equipped with a 3-prong grounding plug. This is a safety feature to reduce the risk of electrical shock. Using an extension cord is not recommended with this appliance. It is recommended that an electrical outlet serving ONLY this appliance be used. This outlet must be properly installed and grounded. If you have any questions about the grounding or electrical instructions, contact a qualified electrician. Do not attempt to modify the plug in any way. Ginny's cannot accept any liability for damage or injury resulting from failure to observe these safety procedures.

SPECIFICATIONS

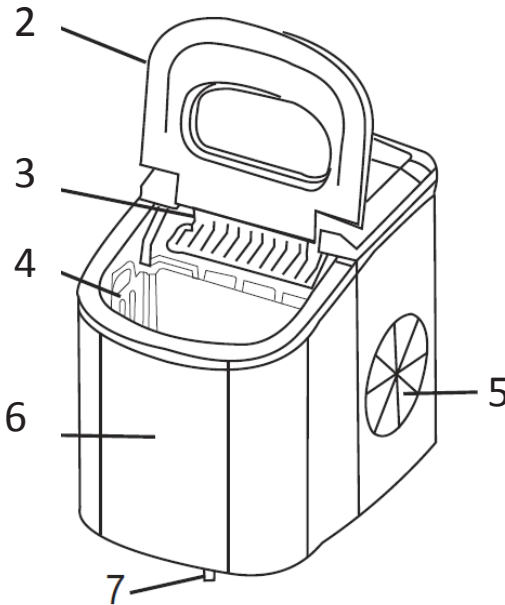
POWER RATING	115V, 60Hz, 160W
CAPACITY (WATER RESERVOIR)	2.3 quarts
CORD LENGTH	72"
DIMENSIONS (incl. bottle opener)	10 $\frac{3}{4}$ " W x 12 $\frac{3}{4}$ " H x 14 $\frac{1}{2}$ " D
MODEL	RIC110-GB

GET TO KNOW YOUR APPLIANCE



(continued on next page)

GET TO KNOW YOUR APPLIANCE



1. Control Panel

- a. Add Water Indicator Light
- b. Ice Full Indicator Light
- c. Power Indicator Light
- d. ON/OFF Button
- e. Small Ice Size Indicator Light
- f. Large Ice Size Indicator Light
- g. SELECT Button (to choose ice size)

2. Cover

3. Ice Shovel and Evaporator Fingers with Tray (behind Ice Shovel)

4. Removable Ice Basket

5. Air Outlet

6. Water Reservoir (below Ice Basket)

7. Drain Plug

8. Ice Scoop (not shown)

9. Bottle Opener and 2 mounting screws (not shown)

HOW TO OPERATE

INSTALLING THE BOTTLE OPENER:

Position the bottle opener as shown in the image below. Use a Phillips-head screw driver to attach the bottle opener to the right side of the ice machine (there are 2 predrilled holes there). Two screws are provided.



WARNINGS:

- Do not touch the evaporator fingers when the ice maker is on.
- Do not use mechanical devices to defrost ice maker. Do not puncture refrigerant tubing.
- Risk of fire or explosion; flammable refrigerant used.
- The ice maker shall not be installed in corridors or hallways of public buildings.
- Pressing the ON/OFF button to an off position DOES NOT disconnect the ice maker from the power supply.
- To avoid burns, DO NOT touch the evaporator fingers when the ice maker is making ice.

HOW TO OPERATE

MAKING ICE:

Note: There are warning indicators that alert you to fill water when the reservoir is empty and to remove ice when the storage basket is full.

1. The incline angle of the ice maker cabinet should not exceed 45° during transportation or use. Do not turn the ice maker upside down; doing so could cause the compressor or refrigerating system to malfunction.
2. **When the ice maker is moved or transported, do not operate for at least 2 hours after the unit has been placed** on a dry and level surface.
3. **Leave an 8" clearance on all sides of the ice maker for proper ventilation.**
4. Ensure the drain plug is in place.
5. Plug the ice maker into an electrical outlet and the green power indicator light will blink.
6. Open the cover and remove the ice basket.
7. Fill the reservoir with room temperature water (or colder). **DO NOT** fill above the MAX water level mark at the back of the reservoir.
8. Replace the ice basket and close the cover.
9. Press ON/OFF and the green indicator light will stay on.
10. Press SELECT to choose small or large ice size. The indicator light will come on beside the chosen ice size.
11. The first ice making cycle will last 8–13 minutes, depending on the ice size that is selected. Water will be pumped into the tray below the evaporator fingers and ice will form on the evaporator fingers.
12. When the ice is formed, the tray under the evaporator fingers will tilt backward and any remaining water will drain back into the reservoir.
13. The ice will be dropped and pushed forward into the ice basket by the ice shovel. The tray will automatically move back into position under the evaporator fingers and start the next cycle.
14. The ICE FULL LED light will light up when the ice basket is full and the ice maker will stop making ice. Remove the ice from the basket with the scoop. When the basket is empty and the cover is closed, the ice maker will restart automatically.

(continued on next page)

HOW TO OPERATE

15. The ADD WATER LED light will light up when there is no more water in the reservoir and the ice making cycle will stop automatically. Remove the basket and add water to the reservoir. DO NOT fill above the MAX water level mark at the back of the water reservoir. Replace the basket and close the cover.

Note: Wait 3 minutes, then press ON/OFF to restart the ice making function.

16. The ice may last in the ice maker for several hours, depending on the ambient room temperature, but melting will occur. For best results, store the ice in a freezer.
17. When finished making ice, press ON/OFF. Unplug the unit from the outlet. Drain any remaining water through the drain plug into a sink.
18. Open the cover and allow the ice maker to reach room temperature before cleaning and storing.

Note: To keep your ice fresh, change the water in the reservoir every 24 hours. When not in use, drain the water from the ice maker.

CLEANING & CARE

1. Turn off and unplug the appliance.
2. Allow the appliance to come to room temperature before cleaning.
3. If the tray behind the evaporator fingers is not in the vertical position, gently push the tray back so that all water drains into the reservoir.
4. Open the drain plug to drain out remaining water and remove the ice basket.
5. DO NOT use abrasive brushes or pads or harsh cleaning solutions.
6. Wash the ice basket and ice scoop in warm, soapy water. Rinse and dry.
7. DO NOT clean the evaporator fingers.
8. To clean the interior of the ice maker, use a soft cloth dampened in warm water and vinegar. Rinse with a clean damp cloth.
9. Wipe the exterior with a damp cloth.
10. DO NOT immerse any electrical appliance, its cord, or its plug, into water.
11. When the ice maker is not in use, or is being stored, ensure the reservoir is completely dry to keep mold from forming. Store with the drain plug open.

TROUBLESHOOTING

PROBLEM	POSSIBLE CAUSE	POSSIBLE SOLUTION
No power to the control panel	Disconnection of plug OR Circuit breaker has tripped	Check the plug/outlet OR Check circuit breaker
ICE FULL and ADD WATER indicators light up simultaneously	Electrical power surge OR Air in the lines or the lines are blocked and the water reservoir cannot detect water level OR Ice is blocking the ice pusher	Turn off the ice maker and unplug; plug in again and turn on OR Turn off the icemaker and unplug. Remove the drain cap and drain out a small amount of water; replace cap and turn on OR Turn off and let the ice melt, then turn on
The unit does not operate	Power is not being supplied to the unit OR The ambient room temperature or the water temperature is too high	Check the plug/outlet OR Run the ice maker in temperatures below 90° F and/or pour colder water into the reservoir

(continued on next page)

TROUBLESHOOTING

PROBLEM	POSSIBLE CAUSE	POSSIBLE SOLUTION
The ice making cycle seems normal but no ice is produced	Making ice takes too much time OR The ambient room temperature or the water temperature is too high OR There is refrigerant leakage or blockage	Change the size selector to small ice cubes OR Run the ice maker in temperatures below 90° F and/or pour colder water into the reservoir OR Call Customer Service

WARRANTY

Ginny's warrants this product free from defects in material and workmanship for one year from provable date of purchase.

Within this warranty period, Ginny's will repair or replace, at its option, defective parts at no charge, provided the product is returned, freight prepaid with proof of purchase to Ginny's. Allow 2-4 weeks for return shipping.

This warranty does not cover improper installation, misuse, abuse or neglect on part of the owner. Warranty is also invalid in any case that the product is taken apart or serviced by an unauthorized service station.

This warranty gives you specific legal rights and they may vary from state to state.

THE FOREGOING WARRANTIES ARE IN LIEU OF ALL OTHER WARRANTIES AND CONDITIONS, EXPRESS OR IMPLIED, INCLUDING BUT NOT LIMITED TO THOSE OF MERCHANTABILITY OR FITNESS FOR A PARTICULAR PURPOSE.



Ginny's, Inc.
1112 7th Avenue
Monroe, WI 53566

Customer Service: 800-544-1590
8:00 a.m. to Midnight CST, Monday through Friday