

Montgomery
Ward®

Montgomery®
Ward

Painting
made
easy!

Electric Sprayer



Instruction Manual

Montgomery Ward Customer Service
8:00 am to Midnight, Monday through Friday

Item: 774679

Wards.com 1•888•557•3848

Wards.com 1•888•557•3848

Montgomery Ward

Thank you for your purchase!

Thank you for purchasing your Montgomery Ward Electric Sprayer. Put through the paces by the experts, we guarantee that it will perform to the highest standard, time after time, with all the convenience and durability you rely on from Wards.

Table of Contents

Important Safeguards 3
 Electrical Safety4
 Specifications..... 4
 Parts & Features..... 5
 How to Use.....6-9
 Cleaning & Care.....9-10
 Troubleshooting 11
 Return Information12
 Warranty.....13

READ CAREFULLY BEFORE USING AND SAVE THESE INSTRUCTIONS!

- FOR HOUSEHOLD USE ONLY. DO NOT USE THIS SPRAYER FOR OTHER THAN ITS INTENDED USE.
- Remove all packaging materials and labels before first use. Dispose of the packaging materials via the appropriate recycling system.
- DO NOT drape the cord where it can be pulled on or tripped over. DO NOT wrap the cord tightly around the tool, as this could cause the cord to fray or break.
- We DO NOT recommend using an extension cord with this tool. However, if an extension cord is used, it must be a cord for outdoor use and the marked electrical rating should be at least as great as the electrical rating of this tool.
- CLOSE SUPERVISION IS NECESSARY WHEN USING THIS TOOL NEAR CHILDREN OR ANIMALS.
- DO NOT use near water.
- DO NOT use an accessory or attachment not recommended by Wards, as this may cause injury or damage the sprayer.
- Keep hands, hair and clothing away from all moving parts.
- Turn off and unplug when not in use.
- THERE ARE NO SERVICEABLE PARTS INSIDE THIS POWER TOOL.
- DO NOT USE A POWER TOOL WITH A DAMAGED CORD OR PLUG, OR AFTER IT MALFUNCTIONS, OR HAS BEEN DAMAGED IN ANY MANNER.
- DO NOT use sprayer in areas where flammable items or fumes are present. Solvent and paint fumes can explode or ignite. Severe injury or property damage can occur.
- Know how to stop the sprayer quickly. Be thoroughly familiar with the controls before using.
- Stay alert. DO NOT operate this tool when fatigued or under the influence of alcohol or drugs.
- This item is intended for outdoor use ONLY with materials having a flashpoint above 70° F (21° C).
- Follow all appropriate local, state and national codes governing ventilation, fire prevention and operation.
- DO NOT spray outdoors on windy days.
- Wear protective clothing to keep paint off skin and hair.
- DO NOT aim sprayer at people, animals or plants.
- Appliances/tools contain valuable materials that can be recycled. Dispose of your old appliances/tools using appropriate collection systems in accordance with federal and local regulations.



Electrical Safety

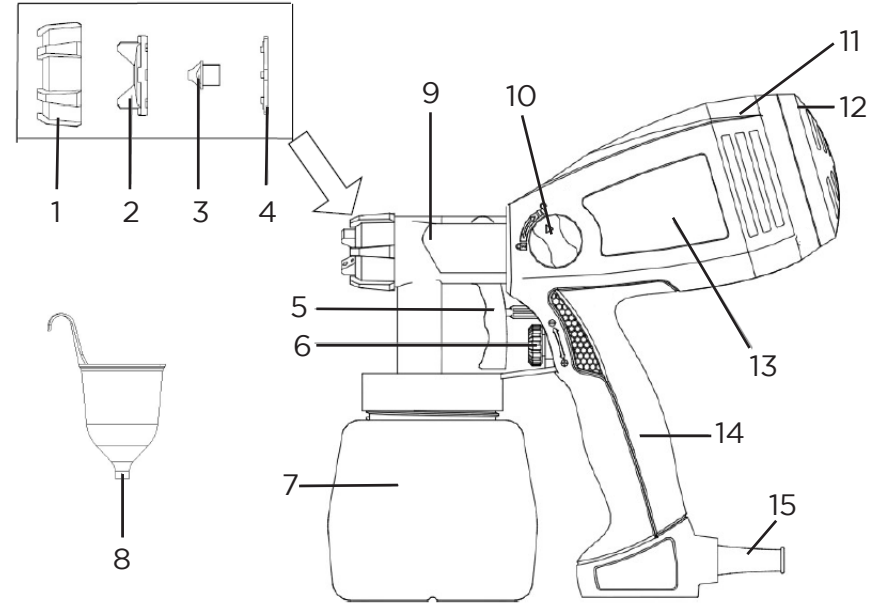
This power tool is equipped with a polarized plug in which 1 prong is wider than the other. This is a safety feature to reduce the risk of electrical shock. The plug will fit into a polarized outlet only 1 way. If you are unable to insert the plug into the outlet, try reversing the plug. If it still does not fit, contact a qualified electrician. DO NOT attempt to modify the plug in any way. Montgomery Ward cannot accept any liability for damage or injury resulting from failure to observe these safety procedures.

Specifications

POWER RATING	120V, 60Hz, 400W
MAX. VISCOSITY	60 DIN/SEC
CAPACITY	28 oz.
CORD LENGTH	80"
WEIGHT	3.2 lbs.
DIMENSIONS	11½" W x 11½" H x 4½" D
MODEL	SSG-3020

Parts & Features

Nozzle Assembly



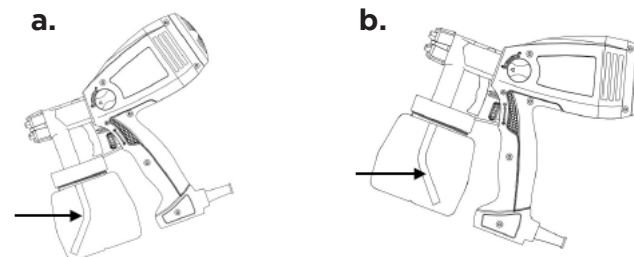
1. Nut
2. Air Cap
3. Nozzle
4. Seal
5. Trigger
6. Volume Regulator Knob
7. Container
8. Viscosity Test Cup
9. Sprayer Assembly
10. Locking Knobs (2)
11. Housing
12. Filter Cover
13. Air Compressor Assembly
14. Handle
15. Power Cord
16. Suction Tube (not shown)

WARNINGS:

- Use only outdoors or in a well-ventilated area.
- Provide exhaust and fresh air introduction to avoid accumulation of flammable vapors.
- Avoid all ignition sources such as static electric sparks, open flames, pilot lights, electrical appliances and hot objects. Connecting or disconnecting power cords or working light switches can make sparks. The sprayer contains arcing parts that emit sparks and can ignite vapors.
- Plastic can cause static sparks. Never hang plastic to enclose the spray area. DO NOT use plastic drop cloths when spraying flammable materials.
- Avoid physical contact with grounded surfaces like pipes, heating elements, stoves and refrigerators.
- DO NOT smoke in spray area.
- A working fire extinguisher must be kept near the spray area.
- Follow the material and solution manufacturer warnings and instructions.
- DO NOT use materials or solutions with a flashpoint below 70°F (21°C).
- DO NOT use materials or solutions containing bleach or chlorine.
- Contact your material or solution supplier about compatibility with aluminum.
- DO NOT use halogenated hydrocarbon solvents such as bleach, mildewcide, methylene chloride and 1,1,1-trichloroethane. (They are not compatible with aluminum.)
- Paints, solvents, insecticides and other materials can be harmful if inhaled or if they come in contact with the body. Vapors can cause severe nausea, fainting or poisoning:
 - a. Use a respirator or mask if vapors can be inhaled. Read all instructions supplied with the mask to be sure it will provide the necessary protection.
 - b. Wear protective eyewear.
 - c. Wear protective clothing as required by material or solution manufacturer.
- Keep the sprayer away from rain and moisture.
- DO NOT carry the tool by the cord or plug.
- Keep the cord away from heat, oil, sharp edges or moving tool parts.

ASSEMBLY

1. Turn both locking knobs to UNLOCK and insert the sprayer and nozzle assembly into place in the housing.
2. Turn both knobs to LOCK to hold the pieces in place.
3. By aligning the suction tube (within the container), you will not have to refill the container as often:
 - a. If spraying in a downward direction, the angled end of the suction tube should be pointing toward the front of the sprayer.
 - b. If spraying in an upward direction, the angled end of the suction tube should be pointing toward the rear of the sprayer.



MATERIAL OR SOLUTION PREPARATION

1. Before spraying, the material or solution to be sprayed may need to be thinned with the proper solvent as specified by the material or solution manufacturer.
 - a. Stir the material or solution thoroughly before measuring viscosity.
 - b. Dip the viscosity test cup completely into the material or solution.
 - c. Hold the test cup up and measure the time in seconds until the liquid empties out. This time is referred to as “runout time.”

Material or Solution	Runout Time (seconds)
Oil enamel	25-40
Oil based primer	30-45
Oil stain	No thinning required
Clear sealer	No thinning required
Polyurethane	No thinning required
Varnish	20-50

How to Use (cont.)

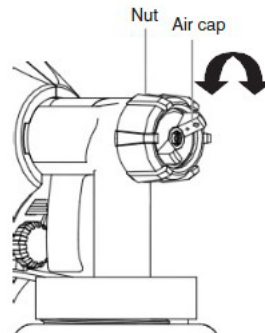
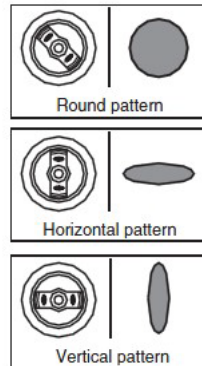
2. Material or solution to be sprayed should always be strained to remove any impurities which may clog the sprayer or cause poor performance/finish.

FILL THE CONTAINER

1. Unscrew the container from the sprayer.
2. After the material or solution has been properly thinned and strained, fill the container to the neck.
3. Carefully screw the container back onto the sprayer.

SPRAY PATTERN

The spray pattern shape is adjusted by loosening the nut and turning the "ears" of the air cap to either the vertical, horizontal, or diagonal position. Tighten the nut. Test each pattern to determine which is best for your application. When painting, we recommend practicing on a hidden area first.



FLOW ADJUSTMENT

Adjust the material or solution volume by turning the regulator knob (behind the trigger) toward + or - to increase or decrease volume.

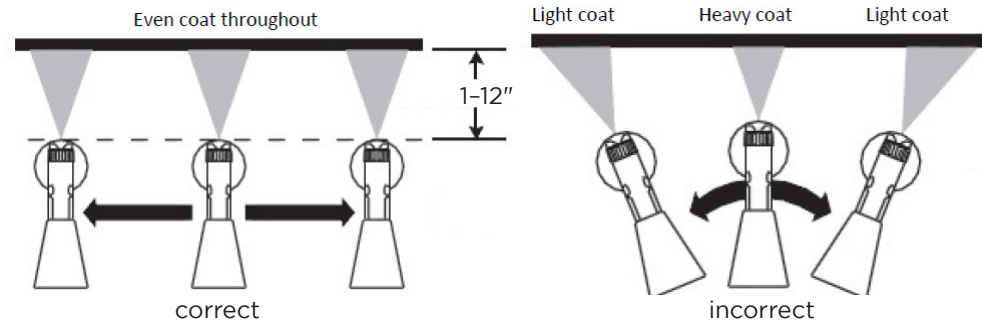
SPRAY AREA PREPARATION

The spray area must be clean and free of dust in order to avoid blowing dust onto your freshly sprayed surface.

SPRAYING

1. Position the sprayer perpendicular to, and at least 1" from, the surface to be sprayed.
2. Depress the trigger to activate spray. Always trigger the sprayer after each spray pass has begun and release the trigger before stopping the pass.
3. Spray parallel to the surface with smooth passes at a consistent speed. Doing this will help avoid runs and sags. DO NOT flex wrist while spraying.
4. When painting, always apply a thin coat of material on the first pass and allow to dry before applying a second, slightly heavier coat.
5. Adjust distance from surface being sprayed as needed.
6. Keep strokes smooth and at an even speed.

How to Use (cont.)

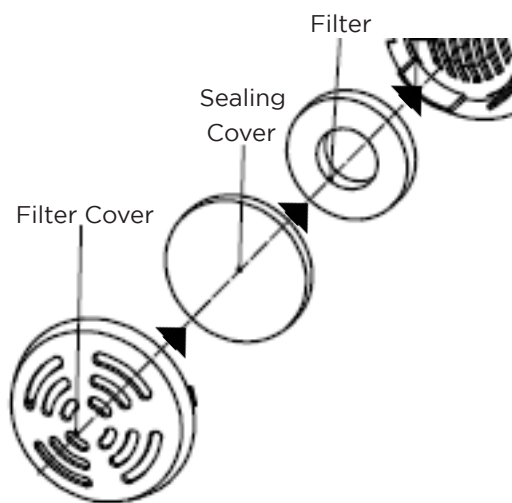


7. When painting, keep the sprayer pointed squarely at the surface and overlap passes slightly to obtain the most consistent finish possible.

Cleaning & Care

1. Unplug the sprayer. Depress the trigger so the material or solution left inside the sprayer flows back into the container.
2. Screw off the container. Empty any remaining material or solution back into its original packaging.
3. In a well-ventilated area (using gloves, mask or other protective equipment as needed), pour a small amount of the appropriate cleaning solution into the container (check material or solution label to determine appropriate cleaner). DO NOT use solvents or lubricants which contain silicone.
4. Clean container and properly dispose of used cleaning solution.
5. Refill the container with fresh cleaning solution.
6. Attach the container to the sprayer and plug cord into an outlet.
7. Direct the nozzle into a pail lined with paper and spray the cleaning solution through the sprayer for 2 seconds. Spray again for 2 seconds. Properly dispose of the soiled paper.
8. Unplug the sprayer and depress the trigger so the cleaning solution left inside the sprayer flows back into the container.
9. Remove the nut and air cap. Use a pliers to take out the nozzle and a flat screwdriver to pull out the seal. Clean all pieces with a small brush and cleaning solution.
10. Turn both locking knobs to UNLOCK; pull and separate the sprayer from the housing.

11. Wipe down the exterior of the housing, as needed, with a soft cloth and the cleaning solution. Wipe the exterior of the container and sprayer until clean.
DO NOT immerse into liquid or water!
12. Turn the suction tube counterclockwise and pull downward to disassemble it from the sprayer. Clean the suction tube with the cleaning solution.
13. Clean the area where the suction tube attaches to the sprayer and the rear of the sprayer (opposite the nozzle) with cleaning solution. Dry thoroughly. Reassemble the suction tube, container and nozzle pieces.
14. Remove the filter cover from the housing with a flat screwdriver. Remove the sealing cover and filter. Wipe the sealing cover clean and rinse the filter with water as needed. Let the filter air dry.
15. Replace the filter, sealing cover and filter cover. DO NOT operate the sprayer without the air filter in place.



Problem	Cause	Solution
Poor flow	Nozzle clogged. Suction tube clogged or loose. Regulator knob setting turned too low. Too little pressure in container. Filter clogged.	Clean. Clean and inspect. Change setting. Tighten container. Clean.
Leaking	Nozzle loose. Nozzle worn. Nozzle seal worn. Buildup on air cap and/or nozzle.	Tighten. Replace. Replace. Clean.
Spray is too dense	Viscosity too high. Regulator knob setting too high. Nozzle clogged. Air filter clogged. Too little pressure in container.	Thin. Change setting. Clean. Clean. Tighten container.
Spray pulsates	Material or solution in container running out. Air filter clogged.	Refill. Clean.
Spray pattern runs or sags	Volume too heavy.	Adjust regulator knob or increase movement of sprayer.
Too much overspray	Sprayer too far from object. Applying too heavy.	Reduce distance. Adjust regulator knob or increase movement of sprayer.
Spray pattern is light and splotchy	Moving the sprayer too fast.	Adjust regulator knob or decrease movement of sprayer.

If any item, for any reason, does not meet your expectations, just return it to us. We'll gladly either:

- Refund your merchandise amount
- Credit your account
- Send a replacement

You can return any unused item in its original packaging within 60 days of its receipt for a full refund of the purchase price (excluding shipping and handling charges).

Please send returns to:

**Montgomery Ward, Inc.
Attn: Customer Returns
2000 Harrison Suite 100
Clinton, IA 52732-6676**

When returning an item:

- Use the original packaging and pack it securely.
- Please adequately insure your item in case you need to make a claim with the carrier you choose for returning your item.
- Include your order number and reason for return.
- We recommend keeping the receipt for 4 weeks.

Montgomery[®] Ward

1 Year Limited Warranty

Montgomery Ward, Inc. warrants this product to be free from defects in material and workmanship for one year from provable date of purchase.

Within this warranty period, Montgomery Ward will repair or replace, at its option, defective parts of this product at no charge provided the product is returned freight prepaid with proof of purchase to Montgomery Ward.

Allow 2-4 weeks for return shipping.

This warranty does not cover improper installation, misuse, abuse or neglect on part of the owner. Warranty is also invalid in any case that the product is taken apart or serviced by an unauthorized service station.

This warranty gives you specific legal rights and they may vary from state to state.

THE FOREGOING WARRANTIES ARE IN LIEU OF ALL OTHER WARRANTIES AND CONDITIONS, EXPRESS OR IMPLIED, INCLUDING BUT NOT LIMITED TO THOSE OF MERCHANTABILITY OR FITNESS FOR A PARTICULAR PURPOSE.

Montgomery Ward Customer Service
8:00 am to Midnight CST, Monday through Friday

Wards.com 1•888•557•3848

