

Montgomery
Ward®

Montgomery
Ward®

Clean
with
ease!

Cordless Upright Vacuum



Instruction Manual

Montgomery Ward Customer Service
8:00 am to Midnight, Monday through Friday

Item: 779506

wards.com 1•888•557•3848

wards.com 1•888•557•3848

Montgomery Ward

Thank you for your purchase!

Thank you for purchasing your Montgomery Ward Cordless Upright Vacuum. Put through the paces by the experts, we guarantee that it will perform to the highest standard, time after time, with all the convenience and durability you rely on from Wards.

Table of Contents

Important Safeguards	3
Electrical Safety	4
Specifications	4
Assembly, Parts & Features	5
How to Use	6-7
Cleaning & Care	8-9
Notes	10-11
Return Information	12
Warranty	13

READ CAREFULLY BEFORE USING AND SAVE THESE INSTRUCTIONS!

- FOR HOUSEHOLD USE ONLY. DO NOT USE THIS APPLIANCE FOR OTHER THAN ITS INTENDED USE.
- Remove all packaging materials and labels before first use.
- Always attach the cord to the charging base first, then to the electrical outlet. DO NOT drape the cord over a counter or tabletop, where it can be pulled on or tripped over.
- We DO NOT recommend using an extension cord with this appliance. However, if an extension cord is used, the marked electrical rating should be at least as great as the electrical rating of this appliance.
- CLOSE SUPERVISION IS NECESSARY WHEN CHARGING THE BATTERY OR USING THE VACUUM NEAR CHILDREN OR PETS.
- DO NOT place the vacuum, charging base or its cord on or near a heated surface, or in a heated oven.
- DO NOT use near water.
- DO NOT use an accessory or attachment not recommended by Wards, as this may cause injury or damage the appliance.
- Keep fingers, hands, hair and clothing away from all moving parts.
- DO NOT use outdoors.
- Turn off the vacuum when not in use and unplug the charging base when not in use.
- THERE ARE NO SERVICEABLE PARTS INSIDE THIS APPLIANCE.
- DO NOT USE AN APPLIANCE WITH A DAMAGED CORD OR PLUG, OR AFTER THE APPLIANCE MALFUNCTIONS, OR HAS BEEN DAMAGED IN ANY MANNER.
- Appliances/tools contain valuable materials that can be recycled. Dispose of old appliances/tools using appropriate collection systems in accordance with federal and local regulations.

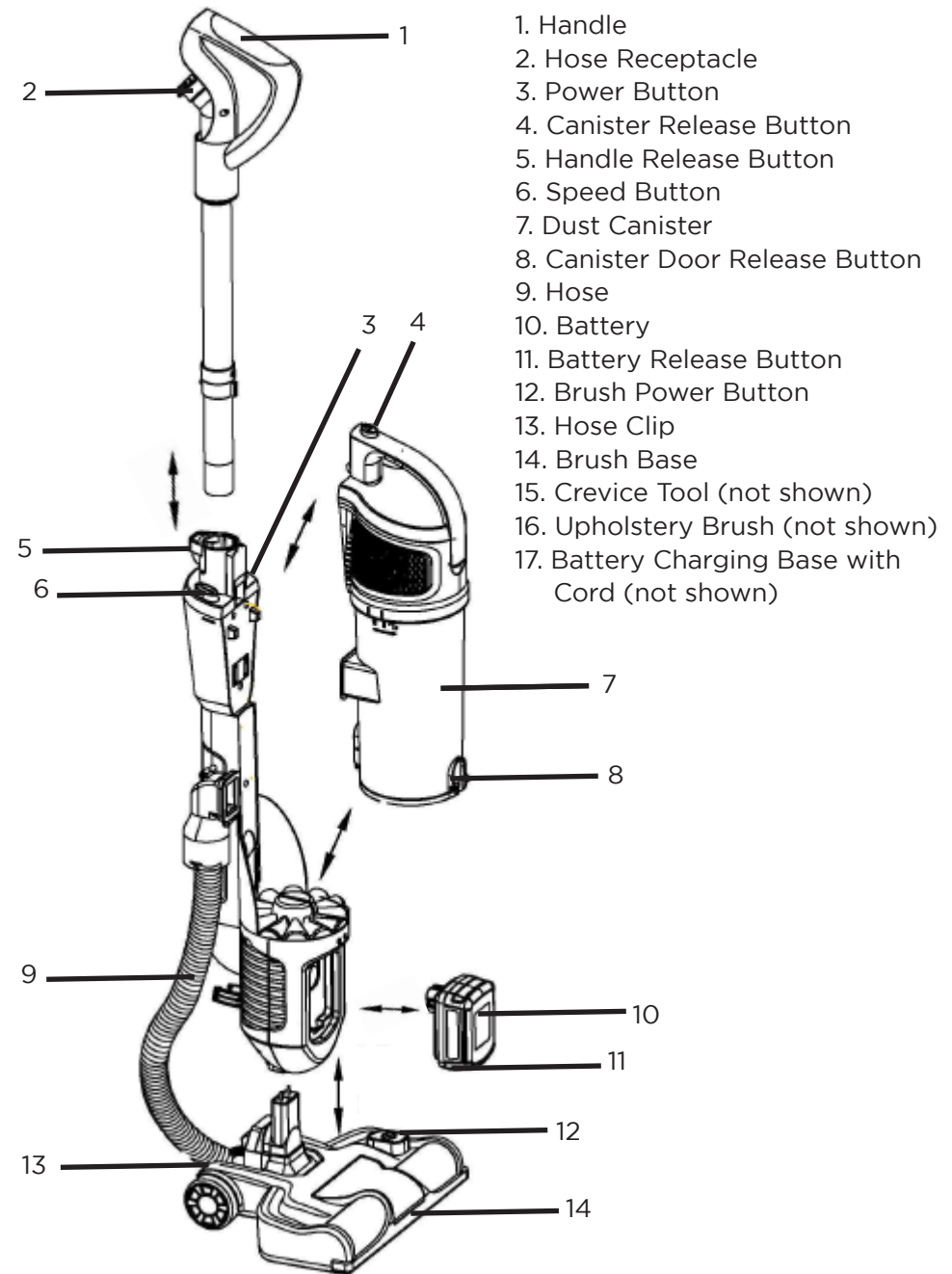
Electrical Safety

This appliance is equipped with an electrical charging base for the battery. DO NOT use an extension cord with this charging base. The plug should be attached to the charging base before connecting to an electrical outlet. If you are unable to insert the plug into the outlet, try reversing the plug. If it still does not fit, contact a qualified electrician. DO NOT attempt to modify the plug in any way. Montgomery Ward cannot accept any liability for damage or injury resulting from failure to observe these safety procedures.

Specifications

POWER RATING	14.8V Li-ion Battery 2000mAh
CHARGING BASE CORD LENGTH	72"
DIMENSIONS	11" W x 47" H x 10" D
MODEL	PC-U001B

Assembly, Parts & Features



CHARGING THE BATTERY

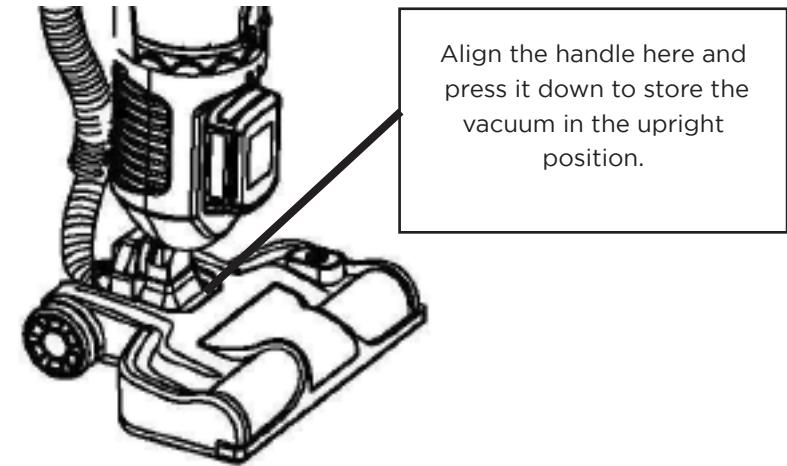
1. Before first use, attach the battery to the battery charging base by pressing the battery down.
2. Attach the cord to the socket on the front of the charging base, then plug the cord into an electrical outlet.
3. The green light and the red light will illuminate on the charging base. When charging is complete, only the green light will illuminate.
4. Unplug the charging base from the electrical outlet.
5. Remove the battery from the charging base and install it on the vacuum front.
6. To remove the battery from the vacuum, press the release button on the bottom of the battery.

USING THE UPRIGHT VACUUM

1. With the battery installed, hold the handle of the vacuum with your right hand and press the power button with your left. The red light on the front of the vacuum will illuminate.

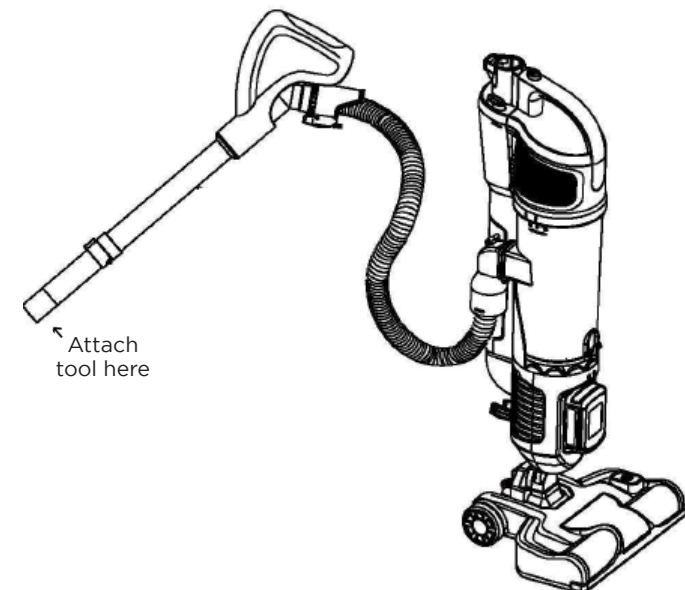
NOTE: When the green light illuminates on the front of the vacuum, the battery is low and should be recharged.

2. Press the speed button to select low or high speed (low for hard floors, high for carpets).
3. To activate the rolling brush, press the brush power button with your left foot.
4. The brush base will swivel and turn easily as you move the vacuum forward and backward, side to side.
5. Put the handle in the upright position and press power to turn off the vacuum when finished cleaning.



USING THE VACUUM HANDLE SET

1. Press down on the handle release button with one hand and pull up on the handle of the vacuum with your other hand until the handle comes loose.
2. Press the hose clip to release the hose from the base of the vacuum and reattach the hose to the receptacle on the back of the handle.
3. Attach the crevice tool or the upholstery brush to reach tight corners or to vacuum furniture and drapes.



WARNINGS:

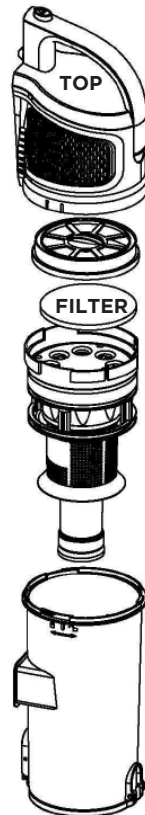
- Always allow the vacuum to cool completely before cleaning.
- DO NOT use abrasive brushes or pads, or harsh cleaning solutions.
- **DO NOT immerse any electrical appliance, charging base, cord or plug into water.**

EMPTY THE DUST CANISTER

1. Turn off the vacuum.
2. Press the canister release button and lift the canister away from the vacuum.
3. To empty the dust and debris, hold the canister over a trash can and press the canister door button on the bottom. This will open the door.
4. Secure the door before replacing the canister on the vacuum.

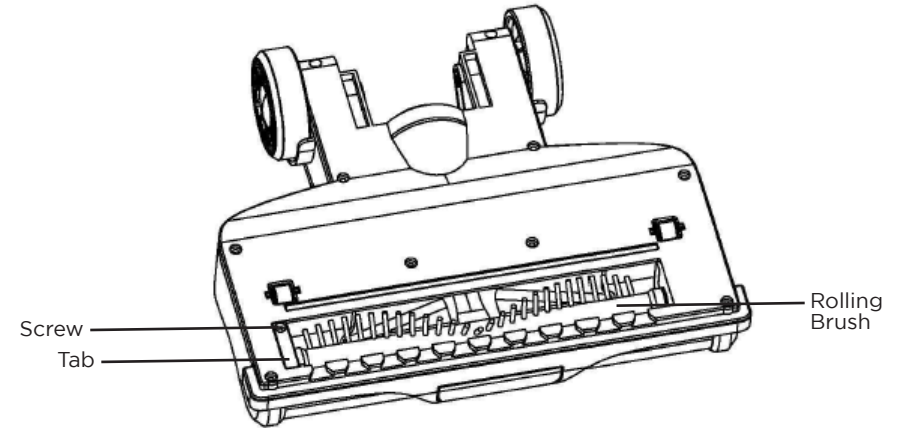
CLEAN THE DUST CANISTER

1. To clean the inside of the dust canister, twist the top to the left and lift it off to separate the components.
2. Remove the filter and clean it with a soft brush.
3. The remaining 2 bottom components can be washed with soap and water, as needed. Ensure all parts are completely dry before reassembling the dust canister.



CLEAN THE ROLLING BRUSH

1. Turn off the vacuum and remove the battery.
2. Turn the rolling brush base over and remove 1 screw with a Phillips screwdriver.
3. Pull out the small plastic tab and remove the brush.
4. Clear the brush of all debris.
5. Replace the brush, tab and screw.



CLEAN THE EXTERIOR OF THE VACUUM

1. Turn off the vacuum and remove the battery.
2. Use a soft cloth to wipe down the handle, canister and brush base, as needed.

If any item, for any reason, does not meet your expectations, just return it to us. We'll gladly either:

- Refund your merchandise amount
- Credit your account
- Send a replacement

You can return any unused item in its original packaging within 60 days of its receipt for a full refund of the purchase price (excluding shipping and handling charges).

Please send returns to:

**Montgomery Ward, Inc.
Attn: Customer Returns
2000 Harrison Suite 100
Clinton, IA 52732-6676**

When returning an item:

- Use the original packaging and pack it securely.
- Please adequately insure your item in case you need to make a claim with the carrier you choose for returning your item.
- Include your order number and reason for return.
- We recommend keeping the receipt for 4 weeks.

Montgomery[®] Ward

1 Year Limited Warranty

Montgomery Ward, Inc. warrants this product to be free from defects in material and workmanship for one year from provable date of purchase.

Within this warranty period, Montgomery Ward will repair or replace, at its option, defective parts of this product at no charge provided the product is returned freight prepaid with proof of purchase to Montgomery Ward.

Allow 2-4 weeks for return shipping.

This warranty does not cover improper installation, misuse, abuse or neglect on part of the owner. Warranty is also invalid in any case that the product is taken apart or serviced by an unauthorized service station.

This warranty gives you specific legal rights and they may vary from state to state.

THE FOREGOING WARRANTIES ARE IN LIEU OF ALL OTHER WARRANTIES AND CONDITIONS, EXPRESS OR IMPLIED, INCLUDING BUT NOT LIMITED TO THOSE OF MERCHANTABILITY OR FITNESS FOR A PARTICULAR PURPOSE.

Montgomery Ward Customer Service
8:00 am to Midnight CST, Monday through Friday

wards.com 1-888-557-3848

