

**Montgomery
Ward**



**Stainless Steel 1.6 cu. ft.
Compact Refrigerator**



Instruction Manual

Montgomery Ward Customer Service
8:00 am to Midnight, Monday through Friday

Item: 785516

wards.com 1•888•557•3848

wards.com 1•888•557•3848

Montgomery Ward

Thank you for your purchase!

Thank you for purchasing your Montgomery Ward Stainless Steel 1.6 cu. ft. Compact Refrigerator. Put through the paces by the experts, we guarantee that it will perform to the highest standard, time after time, with all the convenience, easy cleanup and durability you rely on from Wards.

Table of Contents

Important Safeguards	3
Electrical Safety	4
Specifications	4
Parts & Features.....	5
How to Use	6-7
Cleaning & Care.....	8
Troubleshooting	9
Notes	10-11
Return Information	12
Warranty.....	13

READ CAREFULLY BEFORE USING AND SAVE THESE INSTRUCTIONS!

- FOR HOUSEHOLD USE ONLY. DO NOT use this appliance for other than its intended use.
- Remove all packaging materials before first use.
- Wash all removable parts before first use. Wipe interior of refrigerator and freezer with a damp cloth.
- DO NOT keep excess cord close to/touching the compressor at the back of the refrigerator. DO NOT drape the cord where it can be pulled on or tripped over.
- DO NOT use an extension cord with this appliance.
- CLOSE SUPERVISION IS NECESSARY WHEN USING THIS REFRIGERATOR NEAR CHILDREN. DO NOT ALLOW CHILDREN TO PLAY IN, CLIMB ON, STAND ON OR HANG ON THE DOOR OR SHELF. BE CAREFUL OPENING/CLOSING THE DOOR WHEN CHILDREN ARE IN THE AREA.
- A fire may occur if this appliance is used near flammable materials, including curtains, towels, walls, etc.
- A fire or explosion may occur if this appliance is used near gasoline or other flammable vapors or liquids.
- DO NOT store nonfood items in the refrigerator or freezer.
- DO NOT place the appliance or its cord on or near a heated surface.
- This appliance should always be used on a stable, dry, heat-resistant surface.
- DO NOT use near water.
- DO NOT place this appliance in environments with extreme cold or hot temperatures.
- DO NOT use an accessory or attachment not recommended by Montgomery Ward, as this may cause injury or damage the appliance.
- DO NOT use outdoors.
- Turn off and unplug this appliance when not in use. Turning the temperature control dial to 0 stops cooling but DOES NOT shut off power to the appliance.
- THERE ARE NO SERVICEABLE PARTS INSIDE THIS APPLIANCE.
- DO NOT USE AN APPLIANCE WITH A DAMAGED CORD OR PLUG, OR AFTER THE APPLIANCE MALFUNCTIONS OR HAS BEEN DAMAGED IN ANY MANNER.
- Appliances contain valuable materials that can be recycled. Dispose of old appliances using appropriate collection systems in accordance with federal and local regulations.
- BEFORE YOU DISPOSE OF A REFRIGERATOR OR FREEZER, TAKE OFF THE DOOR. LEAVE THE SHELVES IN PLACE SO THAT CHILDREN MAY NOT EASILY FIT INSIDE.



Intertek

wards.com

Electrical Safety

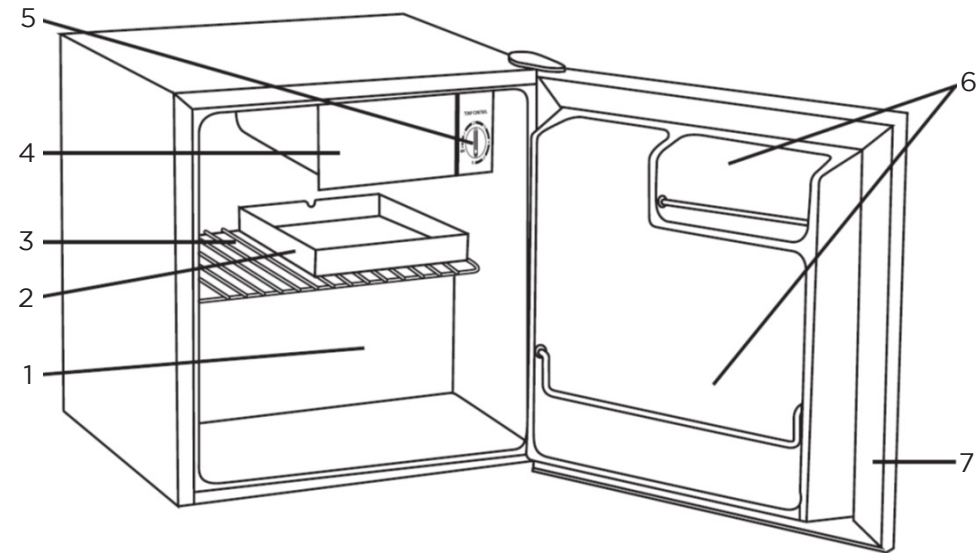
This appliance is equipped with a 3-prong grounding plug. This is a safety feature to reduce the risk of electrical shock. DO NOT use an extension cord with this appliance. It is recommended that an electrical outlet serving ONLY this appliance be used. This outlet must be properly installed and grounded. If you have any questions about the grounding or electrical instructions, contact a qualified electrician. DO NOT attempt to modify the plug in any way. Montgomery Ward cannot accept any liability for damage or injury resulting from failure to observe these safety procedures.

Specifications

POWER RATING	115V, 60Hz, 84W, 15A
CAPACITY	1.6 cu. ft.
CORD LENGTH	30" +/- 3"
DIMENSIONS	18½" W x 20½" H x 20" D
WEIGHT	50 lbs.
MODEL	FR180-MW-SS

Parts & Features

Note: actual appearance may differ slightly from this diagram.



1. Refrigerator Compartment
2. Drip Pan
3. Removable Shelf
4. Freezer Compartment
5. Temperature Control Dial
6. Door and Door Shelves
7. Door Sealing Gasket
8. Leveling Legs (2, front bottom, not shown)
9. Ice Tray (not shown)

WARNING: Risk of fire or explosion due to puncture of refrigerant tubing (flammable refrigerant used). Handle with care when moving refrigerator to avoid damaging the tubing or increasing the risk of a leak.

INSTALLATION

1. Select a well-ventilated location for the refrigerator on a hard, even surface, away from direct sunlight, heat sources and moisture. DO NOT install near gas, alcohol, lacquer or other flammable products.
2. DO NOT install your refrigerator in any location not properly insulated or heated. This refrigerator was not designed to operate in temperature settings below 55° F.
3. Always install the refrigerator in a location where there is proper air circulation and an electrical outlet. We recommend 4" clearance from all walls, cabinets or other appliances and 8" clearance on top.
4. Your refrigerator has 2 leveling legs which are located in the front bottom corners of the appliance. After properly placing the refrigerator in its final position, level the refrigerator by turning the legs counterclockwise to raise the refrigerator or clockwise to lower it. (The refrigerator door will swing closed easier when the leveling legs are extended.)

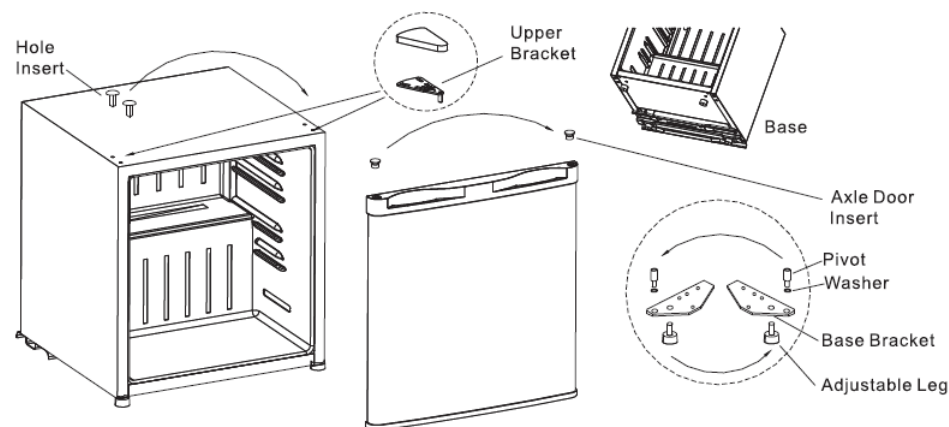
Note: If the appliance has been placed in a horizontal or tilted position (more than 45°) for any period of time, wait 24 hours before plugging in.

OPERATION

1. Plug the cord into an electrical outlet.
2. This appliance has 1 temperature control dial for both the freezer and the refrigerator compartments. Temperature will automatically be maintained per the setting you select. 0 is OFF, 1 is the warmest, 4 is the coldest. Begin by setting the dial to 3 and allow 24 hours to pass before adjusting the temperature, as needed.
3. Allow the refrigerator to cool down 2-3 hours before storing food in it.
4. The freezer compartment is designed for production of ice cubes and short-term storage (3-4 days) for frozen foods.

REVERSING THE DOOR

For easy accessibility, the door on this refrigerator can be changed to open from the left or right. See the diagram below.



DEFROSTING

Defrost the freezer compartment whenever frost accumulates to a thickness of ¼" or more on freezer walls. Frost tends to accumulate more during the summer months or in humid areas. NEVER USE A KNIFE OR OTHER SHARP OBJECT TO REMOVE ICE, AS THIS COULD DAMAGE THE COOLING COILS!

1. Remove food from the refrigerator and freezer compartment.
2. Turn the temperature control dial to OFF and unplug the refrigerator.
3. Keep the freezer door open and place a bowl of warm water in the freezer compartment.
4. Place the drip tray under the freezer compartment.
5. Use a towel to wipe up dripping water. DO NOT leave unattended (a puddle may form on the floor and become a slip hazard).
6. Defrosting may take a few hours.
7. After defrosting, wipe down the interior of the refrigerator and freezer. For thorough cleaning instructions, see page 8.
8. Reset the temperature control dial to the desired temperature and replace food.

CLEANING

1. Turn off and unplug the appliance.
2. Prepare a cleaning solution of 2 Tbsp. baking soda mixed with 1 qt. warm water. Use a sponge or soft cloth, dampened with the cleaning solution, to wipe down the interior of the refrigerator and freezer (after defrosting freezer).
3. DO NOT use harsh chemicals, abrasives, ammonia, chlorine bleach, solvents, concentrated detergents or metal scouring pads.
4. Rinse with clean warm water and dry with a soft cloth.
5. Wipe the exterior and door gaskets with a damp cloth. Allow to dry.
6. Petroleum jelly can be applied lightly on the hinge side of door gaskets, if needed, to keep them pliable and ensure a good seal.
7. **DO NOT immerse any electrical appliance, cord or plug into water.**

POWER INTERRUPTIONS

1. Remove the power cord from the electrical outlet when a power outage occurs.
2. Avoid opening the refrigerator and freezer doors while power is out.
 - a. If outage is for 2–3 hours, plug the power cord back into the outlet when power is restored.
 - b. If outage is for a prolonged period, inspect and discard spoiled or thawed food in freezer and refrigerator. Clean freezer/refrigerator before using (instructions above).

VACATION

For long vacations or absences, empty food from refrigerator and freezer and set the temperature dial to OFF. Unplug and clean the refrigerator and freezer (instructions above). Prop doors open so air can circulate inside.

MOVING

When moving, always move the refrigerator vertically. DO NOT move with the unit lying down or in a horizontal position—possible damage to the sealed system could occur. After the move, wait 24 hours before plugging in and using.

Normal operating sounds you may hear:

- Gurgling sounds or slight vibrations are the result of the refrigerant circulating through the cooling coils.
- The thermostat control will click when it cycles on and off.

Appliance does not operate:

- Check if temperature control setting is too low.
- Check if refrigerator is plugged in.
- Check the circuit breaker.

Food temperature is too warm:

- Frequent door openings.
- Allow time for recently added warm food to reach new temperature.
- Check door gaskets for proper seal.
- Adjust the control dial to colder setting (higher number) and allow several hours for temperature to adjust.

Food temperature is too cold:

- Adjust the control dial to a warmer setting (lower number) and allow several hours for temperature to adjust.

Refrigerator runs too frequently:

- This may be normal to maintain constant temperature during hot days.
- Doors may have been opened frequently or for an extended period of time.
- Check door gaskets for proper seal.
- Check to see if doors are completely closed.

Moisture buildup on interior or exterior:

- This is normal during high humidity periods.
- Prolonged or frequent door openings.
- Check door gaskets for proper seal.

Interior odor:

- Interior needs cleaning (see page 8).
- Foods improperly wrapped or sealed are giving off odors.

Door does not shut properly:

- Level the legs (see page 6, #4).
- Check for blockages (food containers, crisper, shelves, etc.).
- The refrigerator is touching the wall. Move 4" from walls.

Popping or cracking sound when the compressor comes on:

- Level the legs.
- The floor may be uneven or weak. Be sure the floor offers adequate support.

Notes

Notes

If any item, for any reason, does not meet your expectations, just return it to us. We'll gladly either:

- Refund your merchandise amount
- Credit your account
- Send a replacement

You can return any unused item in its original packaging within 60 days of its receipt for a full refund of the purchase price (excluding shipping and handling charges).

Please send returns to:

**Montgomery Ward, Inc.
Attn: Customer Returns
2000 Harrison Suite 100
Clinton, IA 52732-6676**

When returning an item:

- Use the original packaging and pack it securely.
- Please adequately insure your item in case you need to make a claim with the carrier you choose for returning your item.
- Include your order number and reason for return.
- We recommend keeping the receipt for 4 weeks.

Montgomery[®] Ward

1 Year Limited Warranty

Montgomery Ward, Inc. warrants this product to be free from defects in material and workmanship for one year from provable date of purchase.

Within this warranty period, Montgomery Ward will repair or replace, at its option, defective parts of this product at no charge provided the product is returned freight prepaid with proof of purchase to Montgomery Ward.

Allow 2-4 weeks for return shipping.

This warranty does not cover improper installation, misuse, abuse or neglect on part of the owner. Warranty is also invalid in any case that the product is taken apart or serviced by an unauthorized service station.

This warranty gives you specific legal rights and they may vary from state to state.

THE FOREGOING WARRANTIES ARE IN LIEU OF ALL OTHER WARRANTIES AND CONDITIONS, EXPRESS OR IMPLIED, INCLUDING BUT NOT LIMITED TO THOSE OF MERCHANTABILITY OR FITNESS FOR A PARTICULAR PURPOSE.

Montgomery Ward Customer Service
8:00 am to Midnight CST, Monday through Friday

wards.com 1-888-557-3848

