



Wide-Slot Toaster



Instruction Manual

ITEM: 787910

Montgomery Ward Customer Service
8:00 am to Midnight, Monday through Friday

wards.com 1•888•557•3848

wards.com 1•888•557•3848

Thank you
for your
purchase!



Thank you for purchasing your Chef Tested Wide-Slot Toaster by Montgomery Ward. Put through the paces by the experts, we guarantee that it will perform to the highest standard, time after time, with all the convenience, easy cleanup and durability you rely on from Wards.

Table of Contents

Important Safeguards	3
Electrical Safety	4
Specifications	4
Parts & Features.....	5
How to Use	6-7
Cleaning & Care.....	8
Helpful Hints	9
Notes	10-11
Return Information	12
Warranty.....	13



Intertek

wards.com

Important Safeguards

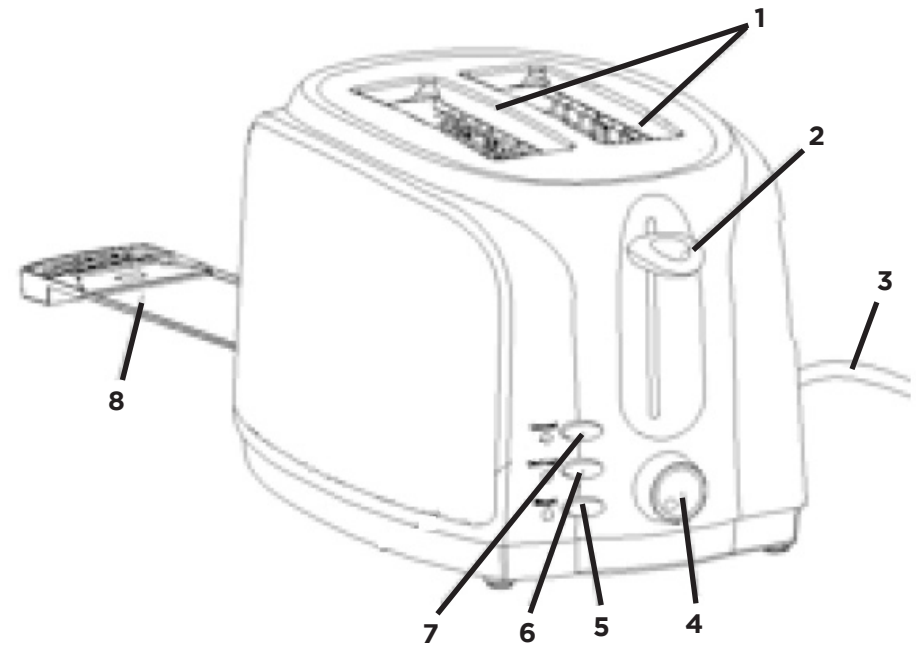
READ CAREFULLY BEFORE USING AND SAVE THESE INSTRUCTIONS!

- FOR HOUSEHOLD USE ONLY. DO NOT USE THIS APPLIANCE FOR OTHER THAN ITS INTENDED USE.
- REMOVE all packaging materials and labels before first use.
- Wash all removable parts before first use. See Cleaning & Care.
- A short cord is provided to reduce the hazards resulting from entanglement or tripping. DO NOT drape the cord over a counter or tabletop where it can be pulled on or tripped over. Never wrap the cord tightly around the appliance, as this could cause the cord to fray or break.
- We DO NOT recommend using an extension cord with this appliance. However, if an extension cord is used, the marked electrical rating should be at least as great as the electrical rating of this appliance.
- CLOSE SUPERVISION IS NECESSARY WHEN USING THIS APPLIANCE NEAR CHILDREN.
- A fire may occur if this appliance is used near flammable materials, including curtains, towels, walls, etc. DO NOT place any paper, plastic or other nonfood items in the appliance. DO NOT place the appliance or its cord on or near a heated surface or in a heated oven.
- This appliance should always be used on a stable, dry, heat-resistant surface.
- DO NOT use near water. DO NOT operate with wet hands.
- DO NOT operate this appliance with an external timer or remote control.
- DO NOT use an accessory or attachment not recommended by the manufacturer, as this may cause injury or damage the appliance.
- Keep hands, hair and clothing away from all openings and moving parts.
- Always use oven mitts when handling hot food or appliances. DO NOT attempt to move an appliance when it is hot or has hot contents.
- DO NOT use outdoors.
- Turn off and unplug this appliance when not in use.
- THERE ARE NO SERVICEABLE PARTS INSIDE THIS APPLIANCE.
- DO NOT USE AN APPLIANCE WITH A DAMAGED CORD OR PLUG, OR AFTER THE APPLIANCE MALFUNCTIONS OR HAS BEEN DAMAGED IN ANY MANNER.
- Appliances/tools contain valuable materials that can be recycled. Dispose of old appliances/tools using appropriate collection systems in accordance with federal and local regulations.

This appliance is equipped with a polarized plug in which one prong is wider than the other. This is a safety feature to reduce the risk of electrical shock. The plug will fit into a polarized outlet only 1 way. If you are unable to insert the plug into the outlet, try reversing the plug. If it still does not fit, contact a qualified electrician. DO NOT attempt to modify the plug in any way. Montgomery Ward can not accept any liability for damage or injury resulting from failure to observe these safety procedures.

Specifications

POWER RATING	60Hz, 120V, 700W
CAPACITY	2-Slice
CORD LENGTH	35" +/- 3"
DIMENSIONS	11.42" W x 6.81" H x 7.28" D
MODEL	SLT-081



1. Slots
2. Carriage Lever
3. Power Cord
4. Browning Dial
5. Bagel Button
6. Defrost Button
7. Cancel Button
8. Crumb Tray

TOASTING

1. Plug the toaster cord into an electrical outlet.
2. Adjust the browning control to desired doneness (1 is the lightest, 7 is the darkest).
3. Place bread slice(s) into the slot(s) and press down on the carriage lever. The LED next to CANCEL will come on and stay on until the toast pops up.
4. Press CANCEL at any time to stop toasting.
5. When done, the toast will pop up. Lift up on the carriage lever and carefully remove the toast.
6. If the bread sticks in the toaster, unplug the toaster, wait for it to cool and then carefully remove the bread. **NEVER USE METAL UTENSILS TO REMOVE FOOD FROM THE TOASTER!**
7. If multiple batches are being toasted, allow the toaster to cool about 1 minute in between.
8. After use, unplug the cord, let the toaster cool and wipe away crumbs using a dry cloth.

TOASTING BAGELS

1. BAGEL is a function that will only toast 1 side of the food inserted. In addition to toasting bagels, you may want to use this button for toasting English Muffins.
2. Plug the toaster cord into an electrical outlet.
3. Adjust the browning control to desired doneness (1 is the lightest, 7 is the darkest).
4. Place bagel halves into the slots per the diagram at the top of the toaster and press down on the carriage lever. The LED next to CANCEL will come on and stay on. Press BAGEL (that LED will also come on).
5. Press CANCEL at any time to stop toasting.
6. When done, the toasted bagel will pop up. Lift up on the carriage lever and carefully remove the toasted bagel halves.
7. If the bagel sticks in the toaster, unplug the toaster, wait for it to cool and then carefully remove the bagel halves. **NEVER USE METAL UTENSILS TO REMOVE FOOD FROM THE TOASTER!**
8. If multiple batches are being toasted, allow the toaster to cool about 1 minute in between.
9. After use, unplug the cord, let the toaster cool and wipe away crumbs using a dry cloth.

DEFROSTING

1. DEFROST is a function that will first defrost frozen bread and then toast it.
2. Plug the toaster cord into an electrical outlet.
3. Adjust the browning control to desired doneness (1 is the lightest, 7 is the darkest).
4. Place bread slice(s) into the slot(s) and press down on the carriage lever. The LED next to CANCEL will come on and stay on. Press DEFROST (that LED will also come on).
5. Press CANCEL at any time to stop defrosting/toasting.
6. When done, the toast will pop up. Lift up on the carriage lever and carefully remove the toast.
7. If the toast sticks in the toaster, unplug the toaster, wait for it to cool and then carefully remove the food. **NEVER USE METAL UTENSILS TO REMOVE FOOD FROM THE TOASTER!**
8. If multiple batches are being toasted, allow the toaster to cool about 1 minute in between.
9. After use, unplug the cord, let the toaster cool and wipe away crumbs using a dry cloth.

Cleaning & Care

1. Turn off and unplug the appliance.
2. Always allow the appliance to cool completely before cleaning.
3. Remove the crumb tray and discard crumbs. Wipe clean and replace. **NEVER OPERATE THE TOASTER WITHOUT THE CRUMB TRAY IN PLACE.**
4. **DO NOT** use abrasive brushes or pads, or harsh cleaning solutions.
5. Use a soft cloth, sponge or rubber spatula to remove any stuck-on food or residue.
6. Wipe the exterior with a damp cloth.
7. **DO NOT immerse any cord, plug or electrical appliance into water.**
8. Ensure all parts are dried thoroughly before reassembling and using this appliance.

Helpful Hints

- **DO NOT** spread jelly, butter or oil on the bread before toasting.
- Change the browning setting depending on the type, quality and the thickness of the bread and the moisture content.
- English muffins cut with a knife will toast more evenly than English muffins split with a fork.
- When toasting only one slice, the bread may be placed in either slot.
- When toasting raisin or other fruit breads, remove any loose pieces of fruit from the surface before toasting.

Returns

If any item, for any reason, does not meet your expectations, just return it to us. We'll gladly either:

- Refund your merchandise amount
- Credit your account
- Send a replacement

You can return any unused item in its original packaging within 60 days of its receipt for a full refund of the purchase price (excluding shipping and handling charges).

Please send returns to:

**Montgomery Ward, Inc.
Attn: Customer Returns
2000 Harrison Suite 100
Clinton, IA 52732-6676**

When returning an item:

- Use the original packaging and pack it securely.
- Please adequately insure your item in case you need to make a claim with the carrier you choose for returning your item.
- Include your order number and reason for return.
- We recommend keeping the receipt for 4 weeks.



1 Year Limited Warranty

Montgomery Ward, Inc. warrants this Chef Tested product to be free from defects in material and workmanship for one year from provable date of purchase.

Within this warranty period, Montgomery Ward will repair or replace, at its option, defective parts of this Chef Tested product at no charge provided the product is returned freight prepaid with proof of purchase to Montgomery Ward.

Allow 2-4 weeks for return shipping.

This warranty does not cover improper installation, misuse, abuse or neglect on part of the owner. Warranty is also invalid in any case that the product is taken apart or serviced by an unauthorized service station.

This warranty gives you specific legal rights and they may vary from state to state.

THE FOREGOING WARRANTIES ARE IN LIEU OF ALL OTHER WARRANTIES AND CONDITIONS, EXPRESS OR IMPLIED, INCLUDING BUT NOT LIMITED TO THOSE OF MERCHANTABILITY OR FITNESS FOR A PARTICULAR PURPOSE.

Montgomery Ward Customer Service
8:00 am to Midnight CST, Monday through Friday

wards.com 1-888-557-3848

