

**Montgomery[®]
Ward**

**Montgomery[®]
Ward**

*Versatile
cleaning!*

Lift-Away Vacuum



Instruction Manual

Item: 792939

Montgomery Ward Customer Service
8:00 am to Midnight, Monday through Friday

wards.com 1•888•557•3848

wards.com 1•888•557•3848

Montgomery Ward

Thank you for your purchase!

Thank you for purchasing your Montgomery Ward Lift-Away Vacuum. Put through the paces by the experts, we guarantee that it will perform to the highest standard, time after time, with all the convenience, easy cleanup and durability you rely on from Wards.

Table of Contents

Important Safeguards	3
Electrical Safety	4
Specifications	4
Parts & Features	5
How to Use	6-7
Cleaning & Care	8
Troubleshooting	9
Notes	10-11
Return Information	12
Warranty	13

READ CAREFULLY BEFORE USING AND SAVE THESE INSTRUCTIONS!

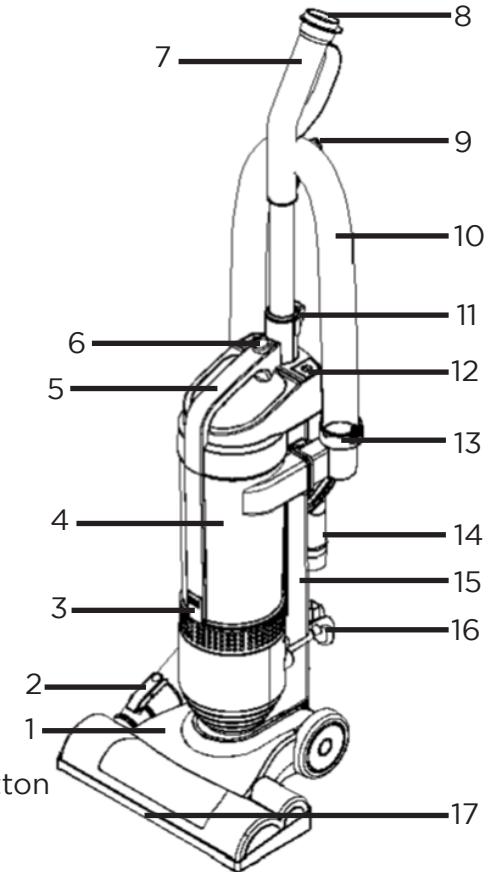
- FOR HOUSEHOLD USE ONLY. DO NOT USE THIS APPLIANCE FOR OTHER THAN ITS INTENDED USE.
- Remove all packaging materials before first use.
- DO NOT drape the cord over a counter or tabletop where it can be pulled on or tripped over. DO NOT wrap the cord tightly around the appliance, as this could cause the cord to fray or break.
- We DO NOT recommend using an extension cord with this appliance. However, if an extension cord is used, the marked electrical rating should be at least as great as the electrical rating of this appliance.
- CLOSE SUPERVISION IS NECESSARY WHEN USING THIS APPLIANCE NEAR CHILDREN OR PETS.
- DO NOT leave the appliance unattended when it is turned on or plugged in.
- DO NOT place the appliance or its cord on or near a heated surface.
- DO NOT use this appliance to vacuum up flammable or combustible liquids, such as gasoline. DO NOT use in areas where these liquids may be present.
- DO NOT use this appliance to vacuum up burning or smoking materials, such as cigarettes, matches or hot ashes.
- DO NOT use near water, on wet surfaces or with wet hands.
- DO NOT use an accessory or attachment not recommended by Wards, as this may cause injury or damage the appliance.
- Keep hands, hair and clothing away from all moving parts.
- DO NOT use with any openings blocked or plugged.
- DO NOT use this appliance to pick up hard or sharp objects or other large pieces of litter (pick up by hand before vacuuming).
- DO NOT operate this appliance without the dust bin and filter properly in place.
- DO NOT use outdoors.
- Turn off and unplug this appliance when not in use.
- THERE ARE NO SERVICEABLE PARTS INSIDE THIS APPLIANCE.
- DO NOT USE AN APPLIANCE WITH A DAMAGED CORD OR PLUG, OR AFTER THE APPLIANCE MALFUNCTIONS OR HAS BEEN DAMAGED IN ANY MANNER.
- Appliances/tools contain valuable materials that can be recycled. Dispose of old appliances/tools using appropriate collection systems in accordance with federal and local regulations.



This appliance is equipped with a polarized plug in which 1 prong is wider than the other. This is a safety feature to reduce the risk of electrical shock. The plug will fit into a polarized outlet only 1 way. If you are unable to insert the plug into the outlet, try reversing the plug. If it still does not fit, contact a qualified electrician. DO NOT attempt to modify the plug in any way. Montgomery Ward cannot accept any liability for damage or injury resulting from failure to observe these safety procedures.

Specifications

POWER RATING	120V/60Hz/700W/10A
DUST BIN CAPACITY	3.17 qt.
CORD LENGTH	16'
DIMENSIONS	13" W x 44" H x 12" D
WEIGHT	13.5 lbs.
SUCTION POWER	18 kPa
MODEL	SVC-203

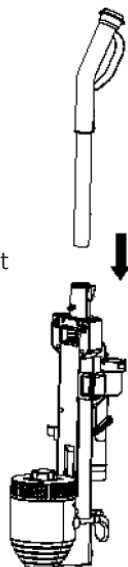
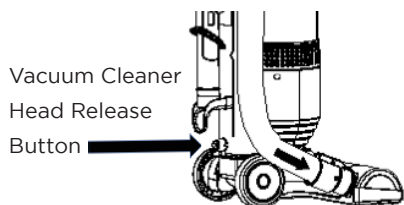


1. Vacuum Cleaner Head
2. Bottom Hose Port
3. Dust Bin Door Release Button
4. Dust Bin with Filters
5. Lift-Off Handle
6. Dust Bin Release Button
7. Handle/Wand
8. Top Hose Port
9. Hose Hook
10. Hose
11. Wand Release Clip
12. Power and Brush Buttons
13. Middle Hose Port
14. Crevice Tool with Brush
15. Main Body/Housing
16. Bottom Cord Hook (Top Cord Hook is not shown)
17. Furniture Guard
18. Cord (not shown)
19. Cord Holder Clip (not shown)
20. Vacuum Cleaner Head Release Button (see page 6)

WARNING: Before using the vacuum cleaner, remove large or sharp objects from the floor to prevent damaging the filter.

ASSEMBLING THE VACUUM CLEANER

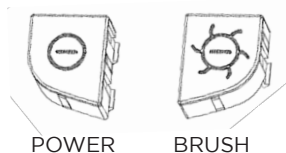
1. Press down on the dust bin release button and lift the dust bin off the housing/main body.
2. Insert the handle/wand into the top of the housing/main body (see image to the right).
3. Reattach the dust bin.
4. Insert the hose (end with the clip release) into the bottom port on the vacuum cleaner head (see image below).



5. Loop the hose over the hose hook and insert the other end of the hose into the middle hose port.

USING AS AN UPRIGHT VACUUM CLEANER

1. Make sure the power is OFF.
2. Plug the power cord into an electrical outlet. To secure the cord, loop it into the cord holder clip on the back of the handle below the hose hook.
3. Press the power button to start the vacuum cleaner. Press the brush button to start/stop the rotating brush.



4. Press your foot down on the vacuum cleaner head and lower the handle. Move the vacuum cleaner forward and backward to clean the floor.
5. When finished, turn OFF and unplug the power cord.

NOTE: DO NOT run the vacuum cleaner over the power cord.

USING AS A LIFT-AWAY VACUUM CLEANER

1. Make sure the power is OFF and the cord is unplugged from the electrical outlet before transitioning to the lift-off vacuum cleaner.
2. Release the hose end from the bottom port and install it on the top hose port (turn the hose so the clip release is to the right and it will lock on).
3. Pull the wand release clip and lift the handle/wand from the main body.
4. Attach the crevice tool to the end of the wand.
5. Plug the power cord into an electrical outlet.
6. Press the power button to start the vacuum cleaner. Press the brush button to turn OFF the rotating brush.
7. Hold the wand in one hand and use your other hand to maneuver the main body of the vacuum with the lift-off handle.
8. When finished, turn OFF and unplug the power cord.

WARNING: ALWAYS turn off and unplug the appliance before cleaning!
Allow the appliance to cool completely before cleaning.

1. Clean the dust bin after every use or during use if it is full.
 - a. To remove the dust bin, press on the dust bin release button and lift it off the main body of the vacuum cleaner.
 - b. Hold the dust bin over a trash receptacle. While holding the handle with 1 hand, press the door release button with the other hand and the door will swing open. Empty the debris.
 - c. Turn the top of the dust bin counterclockwise and remove it.
 - d. Lift off the HEPA-type filter.
 - e. Remove the foam covering and vigorously tap the HEPA-type filter on the inside wall of a trash receptacle to shake the dust free from between the pleats of the filter.
 - f. The HEPA-type filter and foam covering may be washed under running water. We recommend washing it once a month or when suction appears reduced. **Always allow 24 hours of air drying time before replacing the HEPA-type filter and using the vacuum.**

NOTE: The white pleated filter material will discolor over time. This is normal and will not affect the performance of the filter.

- g. The dust bin and interior plastic filter can be wiped down with a damp cloth or rinsed with water and dried with a cloth.
- h. Replace the HEPA-type filter and foam covering and turn the top of the dust bin clockwise to lock it in place.
- i. Attach the dust bin to the main body of the vacuum cleaner.

2. Wipe the exterior of the vacuum cleaner with a damp cloth.
3. **DO NOT immerse any electrical appliance, cord or plug into water.**

WARNING: DO NOT use the vacuum cleaner without the HEPA-type filter in place.

PROBLEM	POSSIBLE CAUSE	POSSIBLE SOLUTION
Vacuum won't run	<ol style="list-style-type: none"> 1. Not firmly plugged in 2. Unit is off 3. No power in wall plug 	<ol style="list-style-type: none"> 1. Plug in firmly 2. Press the power button 3. Check fuse or circuit breaker
Vacuum does not pick up debris	<ol style="list-style-type: none"> 1. Hose is blocked 2. Dust bin is full 3. Debris may be too large 	<ol style="list-style-type: none"> 1. Clear debris 2. Empty dust bin 3. Clear large debris by hand
Suction is not strong	<ol style="list-style-type: none"> 1. Hose is blocked 2. Dust bin is full 3. Filter may be dirty 	<ol style="list-style-type: none"> 1. Clear debris 2. Empty dust bin 3. Clean filter

If any item, for any reason, does not meet your expectations, just return it to us. We'll gladly either:

- Refund your merchandise amount
- Credit your account
- Send a replacement

You can return any unused item in its original packaging within 60 days of its receipt for a full refund of the purchase price (excluding shipping and handling charges).

Please send returns to:

**Montgomery Ward, Inc.
Attn: Customer Returns
2000 Harrison Suite 100
Clinton, IA 52732-6676**

When returning an item:

- Use the original packaging and pack it securely.
- Please adequately insure your item in case you need to make a claim with the carrier you choose for returning your item.
- Include your order number and reason for return.
- We recommend keeping the receipt for 4 weeks.

Montgomery[®] Ward

1 Year Limited Warranty

Montgomery Ward, Inc. warrants this product to be free from defects in material and workmanship for one year from provable date of purchase.

Within this warranty period, Montgomery Ward will repair or replace, at its option, defective parts of this product at no charge provided the product is returned freight prepaid with proof of purchase to Montgomery Ward.

Allow 2-4 weeks for return shipping.

This warranty does not cover improper installation, misuse, abuse or neglect on part of the owner. Warranty is also invalid in any case that the product is taken apart or serviced by an unauthorized service station.

This warranty gives you specific legal rights and they may vary from state to state.

THE FOREGOING WARRANTIES ARE IN LIEU OF ALL OTHER WARRANTIES AND CONDITIONS, EXPRESS OR IMPLIED, INCLUDING BUT NOT LIMITED TO THOSE OF MERCHANTABILITY OR FITNESS FOR A PARTICULAR PURPOSE.

Montgomery Ward Customer Service
8:00 am to Midnight CST, Monday through Friday

wards.com 1-888-557-3848

