

**Montgomery  
Ward**

**Montgomery<sup>®</sup>  
Ward**

*Get  
ready to  
deep  
clean!*

**Pressure Washer**



**Instruction Manual**

ITEM: 795734

Montgomery Ward Customer Service  
8:00 am to Midnight, Monday through Friday

**Wards.com 1•888•557•3848**

**Wards.com 1•888•557•3848**

# Montgomery Ward

Thank you for your purchase!

Thank you for purchasing your Montgomery Ward Pressure Washer. Put through the paces by the experts, we guarantee that it will perform to the highest standard, time after time, with all the convenience, easy clean-up and durability you rely on from Wards.

## Table of Contents

Important Safeguards .....	3
Electrical Safety .....	4
Specifications .....	4
Parts & Features .....	5
How to Use .....	6-9
Cleaning & Care .....	10
Troubleshooting .....	11
Return Information .....	12
Warranty .....	13

### READ CAREFULLY BEFORE USING AND SAVE THESE INSTRUCTIONS!

- FOR HOUSEHOLD USE ONLY. DO NOT USE THIS POWER TOOL FOR OTHER THAN ITS INTENDED USE.
- Remove all packaging materials and labels before first use.
- **Know how to stop the product and release pressure quickly. Be thoroughly familiar with the controls before using the power washer.**
- We DO NOT recommend using an extension cord with this power tool. However, if an extension cord is used, it must be a cord regulated for **outdoor** use and the marked electrical rating should be at least as great as the electrical rating of the pressure washer.
- **CLOSE SUPERVISION IS NECESSARY WHEN USING THIS POWER TOOL NEAR CHILDREN OR ANIMALS. DO NOT DIRECT THE PRESSURE WASHER AT PEOPLE OR ANIMALS.**
- **Keep water spray away from electrical wiring and electrical appliances.**
- DO NOT use an accessory or attachment not recommended by Wards, as this may cause injury or damage the power tool.
- When operating, hold by the sprayer gun. DO NOT hold by the hoses or fittings.
- Turn off and unplug when not in use.
- THERE ARE NO SERVICEABLE PARTS INSIDE THIS POWER TOOL.
- DO NOT USE A POWER TOOL WITH A DAMAGED CORD OR PLUG, OR AFTER IT MALFUNCTIONS OR HAS BEEN DAMAGED IN ANY MANNER.
- DO NOT use in areas near combustible materials, combustible fumes or dust.
- Stay alert. DO NOT operate the power tool when fatigued or under the influence of alcohol or drugs.
- Item is intended for outdoor use, DO NOT use indoors.
- The work area should have adequate drainage to reduce the possibility of a fall due to slippery surfaces.
- DO NOT overreach or stand on an unstable surface. Keep good footing and balance at all times.
- **Keep all electrical connections dry and off the ground. DO NOT operate with wet hands or while standing in water.**
- DO NOT use the pressure washer in cold temperatures. DO NOT allow the pressure washer to freeze during storage.
- DO NOT use in rainy conditions.
- Use safety goggles/face shield to protect eyes/face when operating this item.
- Use clean water only. DO NOT use hot water.
- DO NOT operate the pressure washer without water connected and turned on.
- Old appliances/tools contain valuable materials that can be recycled. Dispose of your old appliances/tools using appropriate collection systems.



## Electrical Safety

**This power tool is equipped with a polarized plug in which one prong is wider than the other.** This is a safety feature to reduce the risk of electrical shock. The plug will fit into a polarized outlet only one way. If you are unable to insert the plug into the outlet, try reversing the plug. If it still does not fit, contact a qualified electrician. Do not attempt to modify the plug in any way. Montgomery Ward can not accept any liability for damage or injury resulting from failure to observe these safety procedures.

## Specifications

<b>POWER RATING</b>	<b>120V, 60Hz, 1600W</b>
<b>PRESSURE</b>	<b>1900 Max PSI, 1300 Rated PSI</b>
<b>WATER FLOW</b>	<b>1.3 GPM Rated, 1.6 GPM Max</b>
<b>MAXIMUM PRESSURE WATER SUPPLY</b>	<b>1.2 MPA</b>
<b>WEIGHT</b>	<b>18 LBS.</b>
<b>CORD LENGTH</b>	<b>35'</b>
<b>MODEL</b>	<b>SWA-160</b>

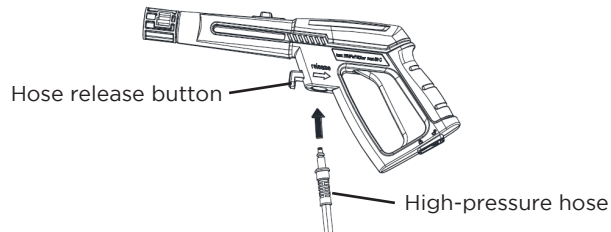
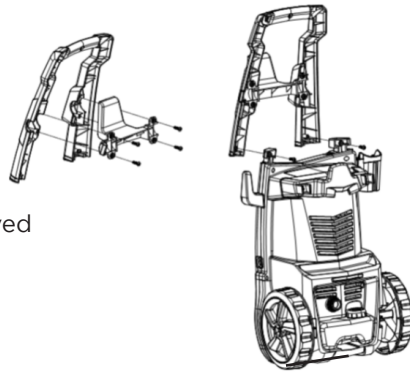
## Parts & Features



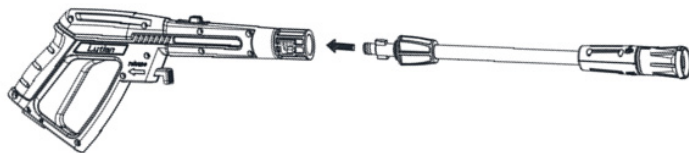
- 1. Carry Handle
- 2. Spray Gun
- 3. Trigger Lock
- 4. Spray Trigger
- 5. Hose Hook
- 6. Hose Release Button
- 7. Rotation Lock
- 8. Hose Connector (2)
- 9. High-Pressure Hose
- 10. Cord Hook
- 11. Spray Gun Holder
- 12. Main Body
- 13. Power Knob
- 14. Spray Wand
- 15. Hose Outlet Port
- 16. Hose Disconnect Switch
- 17. Wheel (2)
- 18. Spray Adjuster
- 19. Nozzle
- 20. Needle Tool (not shown)

## ASSEMBLING THE PRESSURE WASHER

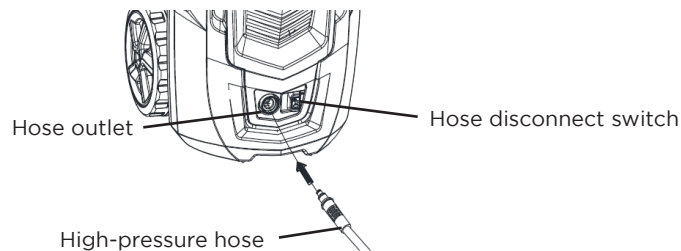
1. Screw the hose hook to the handle and the handle to the main body of the washer with the screws provided (see diagram to the right).
2. Attach the high pressure hose to the gun (see diagram below). When the pieces are joined properly, the hose can only be removed by pressing the hose release button.



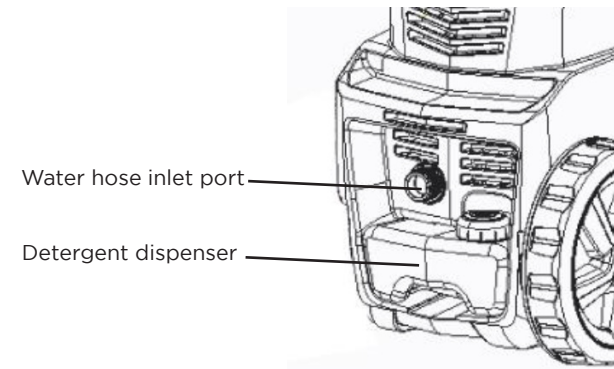
3. Hold the spray gun in your left hand and the spray wand in your right. Insert the wand into the gun (press firmly) and twist the wand clockwise until it is locked in place (see diagram below). To remove the wand, press firmly and twist counterclockwise.



4. Insert the high pressure hose to the hose outlet on the front of the pressure washer (see diagram below). When the pieces are joined properly, you can only remove the hose by first pressing the hose disconnect switch to the left.



5. Connect a standard garden hose ( $\frac{1}{2}$ "– $\frac{3}{4}$ " ) to the water hose inlet on the back of the pressure washer.



**IMPORTANT:** Let the water run through the garden hose (until clear) before connecting to the pressure washer to prevent sand and other impurities from entering the machine.

6. If desired, pull out the detergent dispenser and add soap (32 oz. capacity). Use LIQUID SOAP ONLY and DO NOT dilute. See page 8 for instructions.
7. Turn on the water from the garden hose tap.



### WARNINGS:

- When the machine is turned on, the interior pump starts and continues to run even if the trigger has not been depressed. Running the machine without depressing the trigger could cause heat damage to the motor.
- DO NOT leave the pressure washer running unattended at any time.
- DO NOT disconnect the hose from the washer or spray gun while the pressure washer is pressurized.
- High-pressure water flow can damage the work surface if not used properly. If possible, first test the washer on a hidden area.
- Use the handle to move the pressure washer. DO NOT pull by the hose.
- When the machine is running, maintain a constant water supply or the pressure washer may be damaged.
- DO NOT direct the spray against yourself or others in order to clean clothes or footwear.

**OPERATING THE PRESSURE WASHER**

1. Make sure the pressure washer power knob is in the OFF position. Plug the power cord into an electrical outlet.
2. Ensure the machine is in an upright position and all air vents are clear.
3. **PRESSURE MUST BE RELEASED BEFORE TURNING ON THE PRESSURE WASHER.** Before each use, release the trigger safety lock and squeeze the trigger. Let the water run until all air has escaped from the water hose (this is called "bleeding"). Release the trigger.
4. **The spray gun can "kick" when operated, so be sure to hold it firmly with both hands and point the nozzle at the ground.**
5. Turn the power knob to ON. Squeeze the trigger to dispense pressurized water.
6. **Begin by spraying in a testing area free and clear of people and objects, at a minimum of 36" from the item being cleaned.** Adjust the spraying distance as needed.
7. Adjust the spray pattern by turning the nozzle or slide the rotation lock and rotate the wand.
8. When the trigger is released, the spraying stops.
9. When finished using the pressure washer, turn OFF.
10. Disconnect the plug from the outlet (DO NOT pull on the cord).
11. Shut off the water supply (from the tap) and squeeze the trigger of the spray gun to release remaining water and pressure.
12. Lock the trigger safety lock.

**USING DETERGENT**

1. The detergent dispenser will allow you to apply liquid detergent onto the work surface. Detergent application happens at low-pressure only.
2. Turn the nozzle to  so the pressure washer is in low-pressure mode and apply the detergent.
3. When finished applying the detergent to the work surface, turn the nozzle to high pressure  and spray off the detergent.

**WARNING: ALWAYS READ THE CLEANING PRODUCT LABEL!**

**Never use products with bleach or chlorine or any other corrosive materials, including liquids containing solvents (gasoline, oils, etc.), tri-sodium phosphate products, ammonia or acid-based cleaners. These chemicals will harm the pressure washer and may cause damage to the surface being cleaned.**

**Note:** Biodegradable detergents are specifically formulated to protect the environment and your pressure washer. These detergents will not clog the filter and will protect the internal parts of the pressure washer for a longer life.

**Tips** 

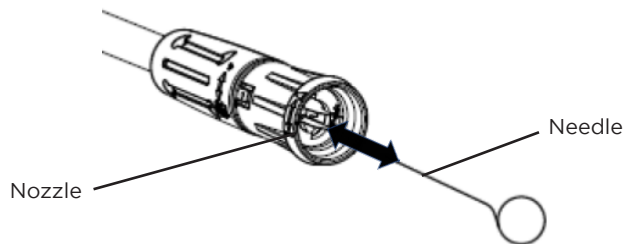
- **WOOD OR VINYL DECKING:** Rinse with water. If using detergent, apply to the area being cleaned at low pressure in small sections. Allow the detergent to rest on the surface for a few minutes and then rinse at high pressure using the fan spray. **DO NOT LET THE DETERGENT DRY.** Keep the tip of the spray nozzle at least 6-9" from the cleaning surface. Maintain a further distance from the cleaning area when using a direct spray or when working on soft woods.
- **CEMENT, STONE AND BRICK:** Rinse with water. If using detergent, apply to the area being cleaned at low pressure. Allow the detergent to rest on the surface for a few minutes and then rinse at high pressure using the fan spray. Keep the tip of the spray nozzle at least 3-6" from the cleaning surface.
- **CARS, BOATS AND MOTORCYCLES:** Rinse with water. If using detergent, apply to the area being cleaned at low pressure. Clean 1 side at a time. Allow the detergent to rest on the surface for a few minutes, but **DO NOT LET THE DETERGENT DRY.** Rinse at high pressure using the fan spray in a sweeping motion keeping the tip of the spray nozzle at least 8" from the cleaning surface. Wipe surface dry and polish as needed.
- **GRILLS, POWER EQUIPMENT AND GARDEN TOOLS:** Rinse with water. If using detergent, apply to the area being cleaned at low pressure. Allow the detergent to rest on the surface for a few minutes, but **DO NOT LET THE DETERGENT DRY.** Rinse at high pressure using the fan spray in a sweeping motion keeping the tip of the spray nozzle at least 3" from the cleaning surface.

**WARNING: DO NOT immerse any electrical tool, cord or plug into water!**

**Note: The pressure washer and accessories should be stored above 32° F. NEVER store outside or in a room that will freeze.**

1. Turn off the pressure washer. Turn off the water tap and detach the garden hose.
2. Restart the machine and squeeze the trigger on the gun. Let it run until no more water comes out.
3. Turn off the machine and unplug from the electrical outlet. Remove the spray gun and the high pressure hose.
4. Tip the unit on both sides to drain any remaining water from inlet and outlet ports.
5. Rinse the high pressure hose, the wand and nozzle with clean water.
6. Clean all connectors and ports of debris.
7. If used, rinse the detergent dispenser with clean water.
8. Wipe the exterior of the machine with a damp cloth
9. Wind up the high pressure hose and cord on the storage hooks.
10. Place spray gun on the holder on the machine.
11. Ensure all parts are dry before storing.

**Note:** If the nozzle becomes clogged, clean it by inserting the needle tool into the tip to remove deposits or debris (see diagram below) and rinse thoroughly.



Symptom	Cause	Recommended action
Machine will not start	Not plugged in	Plug in machine
	Defective outlet	Try another outlet
	Fuse has blown, GFCI has tripped or circuit has tripped	Check fuses, reset button or circuit breaker box
	Defective extension cord	Try without extension cord
Fluctuating pressure	Pump is sucking air	Check that hoses and connections are tight
	Water pressure is insufficient	Check for hose blockage and/or kinks
Machine stops	Fuse has blown, GFCI has tripped or circuit has tripped	Check fuses, reset button or circuit breaker box
	Incorrect voltage	Check for proper voltage
	Motor is overheated	Turn machine off to cool down for 5 minutes
	Nozzle blocked	Clean the nozzle with the needle or by spraying water backward into the nozzle
Machine starts and stops by itself	Spray gun is leaking	Check connection
	No water supply	Check for hose blockage and/or kinks
Machine starts but no water comes out	Inlet port is blocked	Clean port
	Nozzle blocked	Clean the nozzle with the needle or by spraying water backward into the nozzle
	No water supply	Check for kinks/pinches

If any item, for any reason, does not meet your expectations, just return it to us. We'll gladly either:

- Refund your merchandise amount
- Credit your account
- Send a replacement

You can return any unused item in its original packaging within 60 days of its receipt for a full refund of the purchase price (excluding shipping and handling charges).

**Please send returns to:**

**Montgomery Ward, Inc.  
Attn: Customer Returns  
2000 Harrison Suite 100  
Clinton, IA 52732-6676**

**When returning an item:**

- Use the original packaging and pack it securely.
- Please adequately insure your item in case you need to make a claim with the carrier you choose for returning your item.
- Include your order number and reason for return.
- We recommend keeping the receipt for 4 weeks.

# Montgomery Ward<sup>®</sup>

## 1 Year Limited Warranty

Montgomery Ward, Inc. warrants this product to be free from defects in material and workmanship for one year from provable date of purchase.

Within this warranty period, Montgomery Ward will repair or replace, at its option, defective parts of this product at no charge, provided the product is returned freight prepaid with proof of purchase to Montgomery Ward.

Allow 2-4 weeks for return shipping.

This warranty does not cover improper installation, misuse, abuse or neglect on part of the owner. Warranty is also invalid in any case that the product is taken apart or serviced by an unauthorized service station.

This warranty gives you specific legal rights and they may vary from state to state.

THE FOREGOING WARRANTIES ARE IN LIEU OF ALL OTHER WARRANTIES AND CONDITIONS, EXPRESS OR IMPLIED, INCLUDING BUT NOT LIMITED TO THOSE OF MERCHANTABILITY OR FITNESS FOR A PARTICULAR PURPOSE.

Montgomery Ward Customer Service  
8:00 am to Midnight CST, Monday through Friday

**Wards.com 1-888-557-3848**

